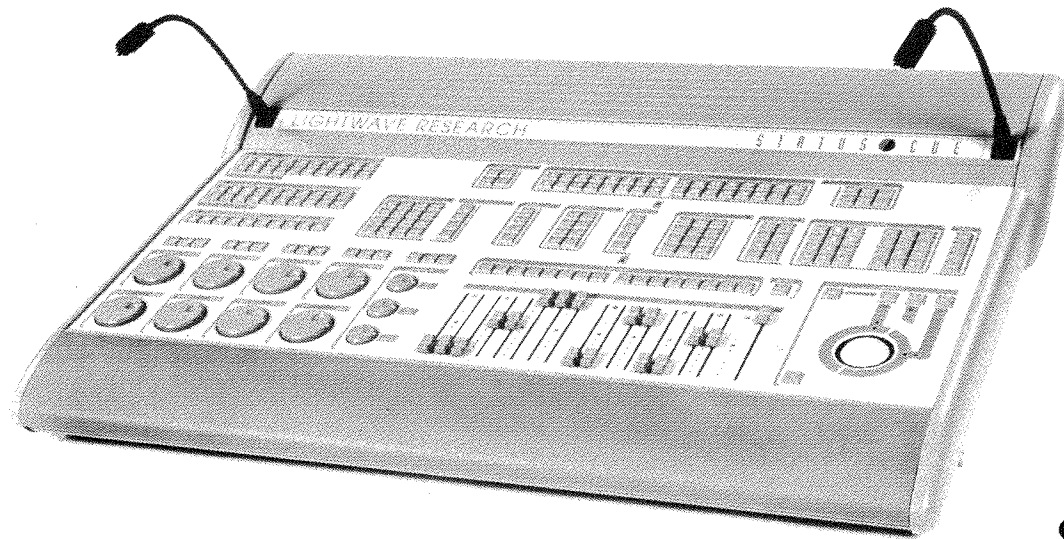


STATUS CUETM

System

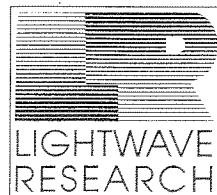


*Schematic
Drawings*



TM

High End Systems, Inc.
2217 West Braker Lane
Austin, Texas, U.S.A.



TM

P/N 60600031

STATUS CUE

System Schematic Drawings Revision 2

Console Schematics – Revision 2.0

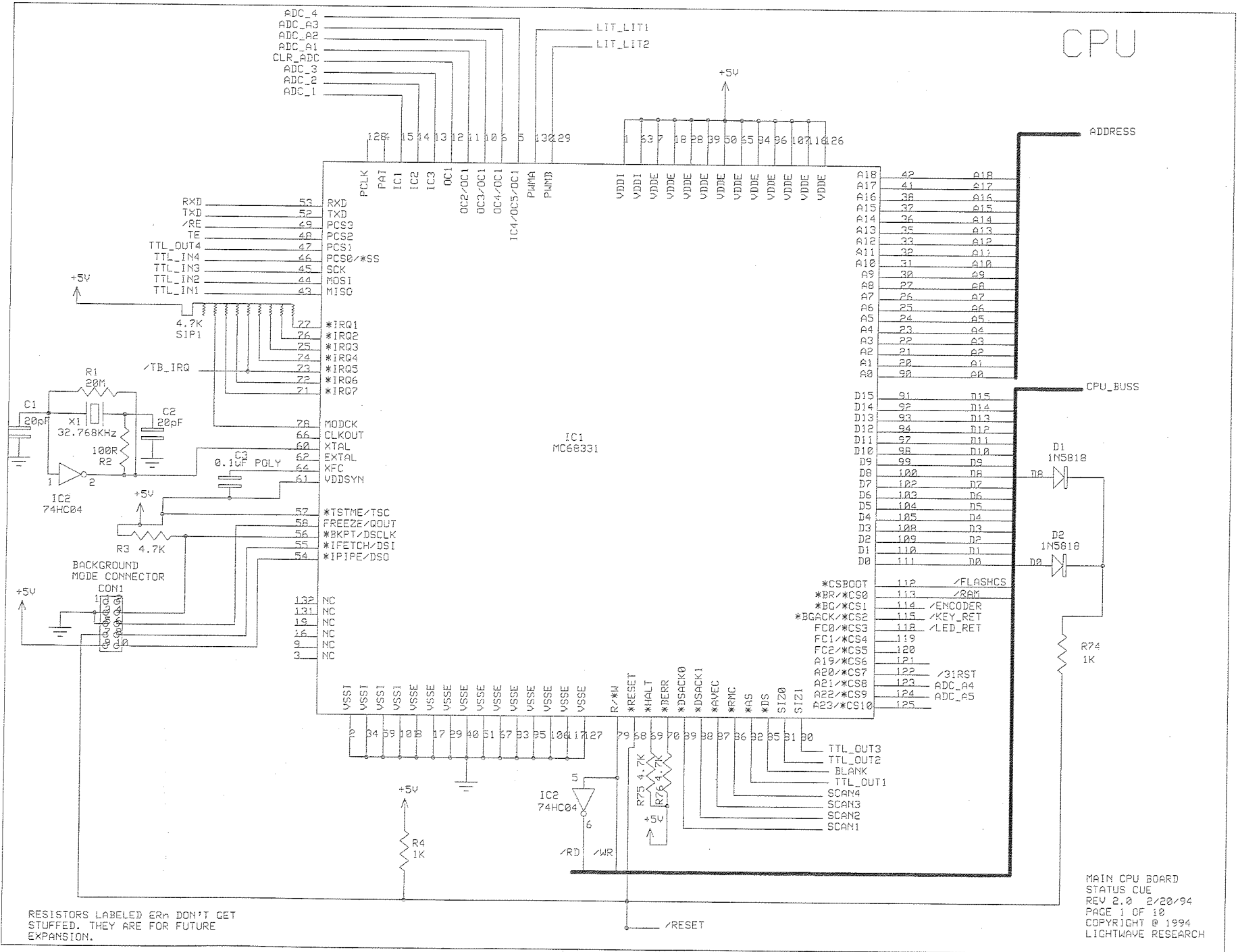
CPU	1	SWITCH MATRIX BOARD 2 – 1	16
MEMORY	2	SWITCH MATRIX BOARD 2 – 2	17
CONSOLE INTERFACE	3	SWITCH MATRIX BOARD 2 – 3	18
KEY AND LED RETURNS	4	SWITCH MATRIX BOARD 2 – 4	19
KEY AND LED SCAN	5	SWITCH MATRIX BOARD 2 – 5	20
KEY AND LED CONNECTORS	6	CONSOLE CONTROLLER SLIDE POT	21
SLIDE AND IO INTERFACE	7	CONTINUOUS CONTROL	22
LITTLITE INTERFACE	8	PUSH BUTTON FOR TRACKBALL	23
TRACKBALL INTERFACE	9		
ENCODER CPU	10	Link Card Schematics – Revision 2.1	
SWITCH MATRIX BOARD 1 – 1	11	CPU	24
SWITCH MATRIX BOARD 1 – 2	12	MEMORY	25
SWITCH MATRIX BOARD 1 – 3	13	DECODE LOGIC	26
SWITCH MATRIX BOARD 1 – 4	14	DATA LINKS	27
SWITCH MATRIX BOARD 1 – 5	15	CONSOLE INTERFACE	28
		PC INTERFACE	29
		SHARED RAM	30

High End Systems, Inc.
2217 West Braker Lane
Austin, Texas, U.S.A.

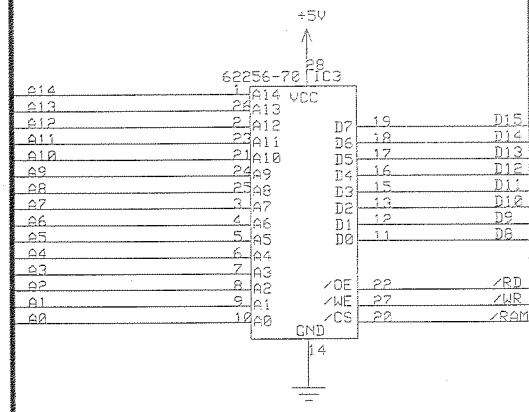
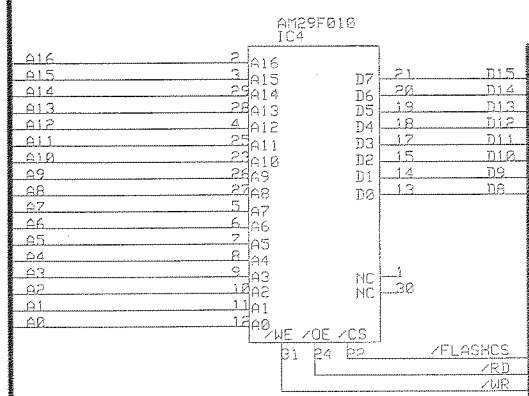
Proprietary Notice

This document contains confidential and proprietary information of High End Systems, Inc., (also dba Lightwave Research) and is given to the receiver in confidence. The receiver accepts and agrees that, except as authorized by High End Systems, the receiver will not use or permit the use of the document or any copy thereof or the information therein, will not copy or permit copying the document, will not disclose to others either the document or the information therein, and will upon completion of the need to retain the document, or upon demand, return the document without retaining any of the information contained therein in any form whatsoever.

© High End Systems, Inc. 1994, All Rights Reserved



MEMORY

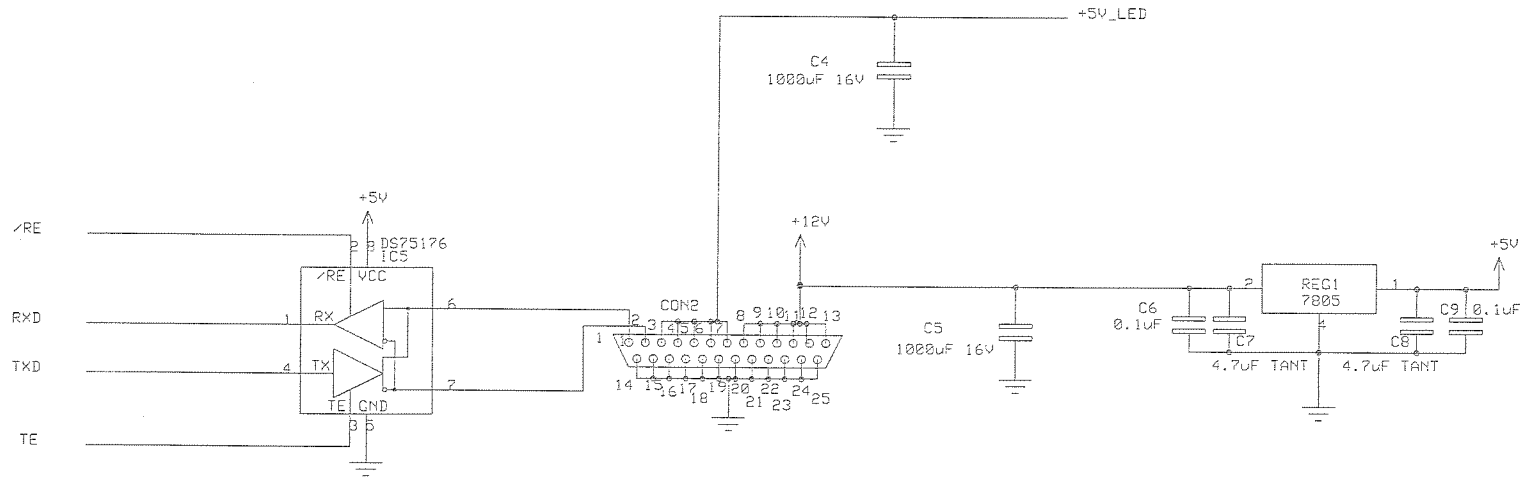


ADDRESS

CPU_BUSS

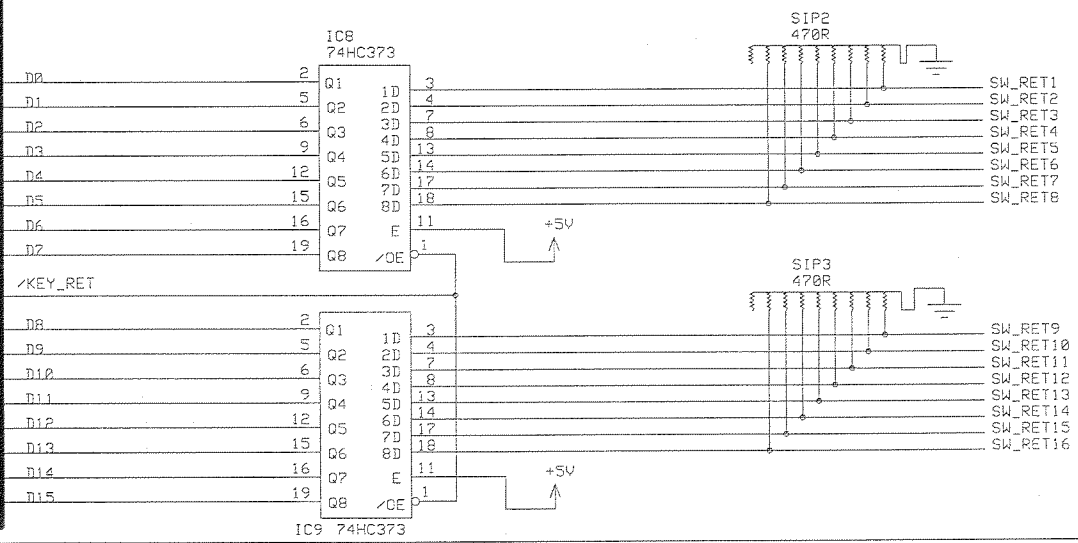
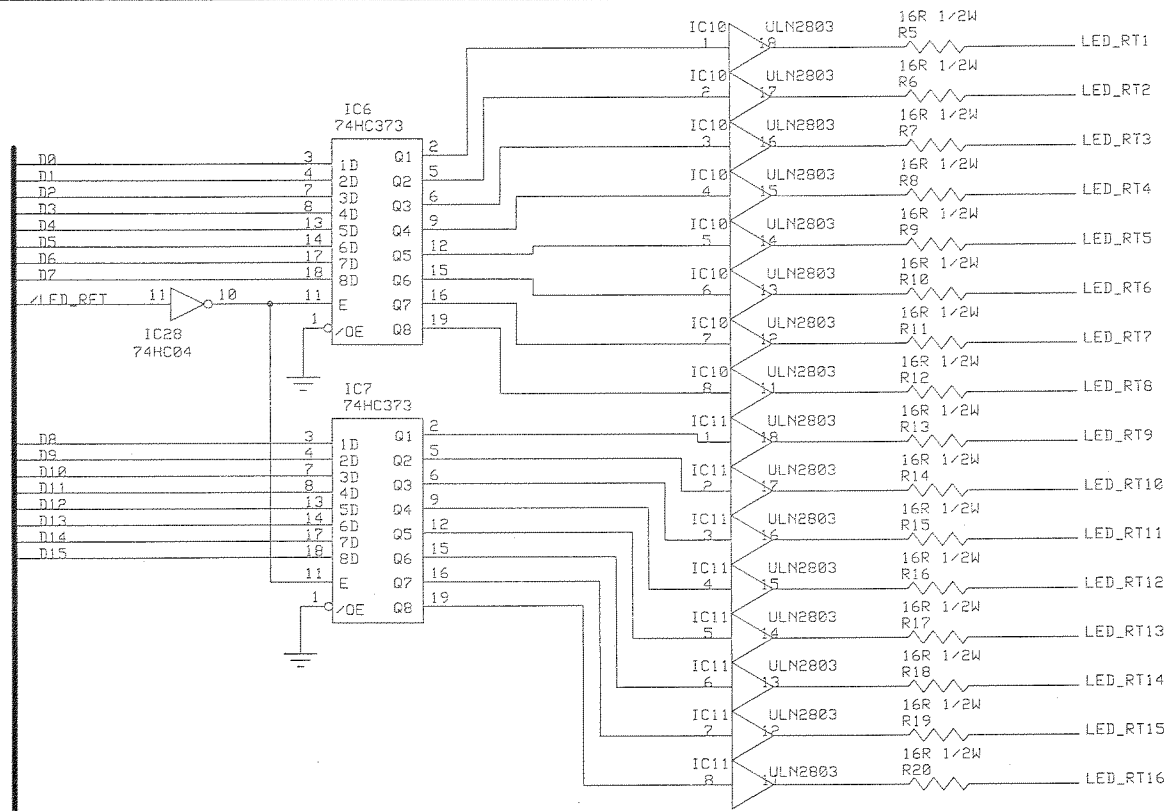
MAIN CPU BOARD
 STATUS CUE
 REV 2.0 2/20/94
 PAGE 2 OF 10
 COPYRIGHT © 1994
 LIGHTWAVE RESEARCH

CONSOLE INTERFACE



MAIN CPU BOARD
STATUS CUE
REV 2.0 2/20/94
PAGE 3 OF 10
COPYRIGHT © 1994
LIGHTWAVE RESEARCH

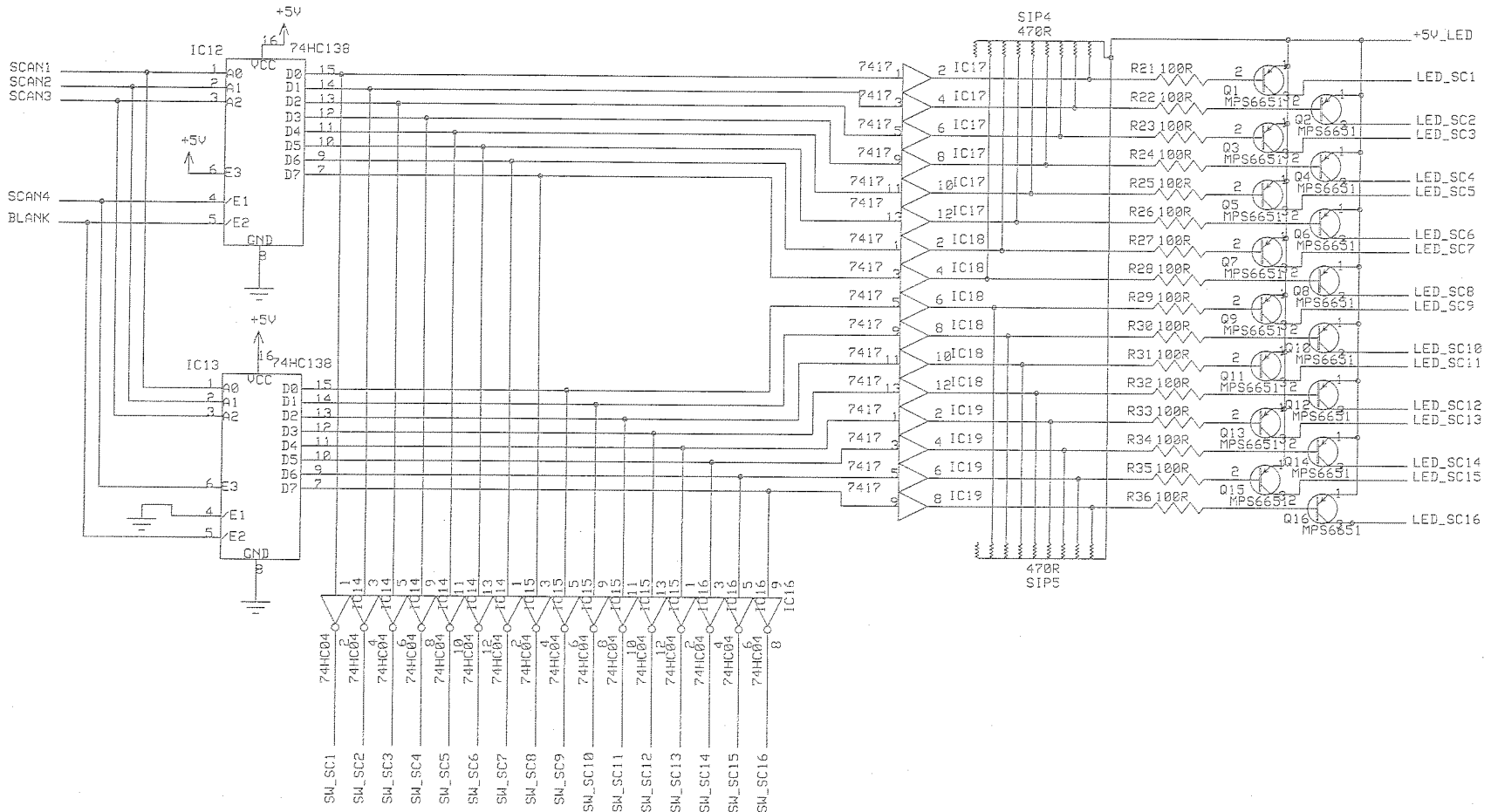
KEY AND LED RETURNS



CPU_BUSS

MAIN CPU BOARD
 STATUS CUE
 REV 2.0 2/20/94
 PAGE 4 OF 10
 COPYRIGHT © 1994
 LIGHTWAVE RESEARCH

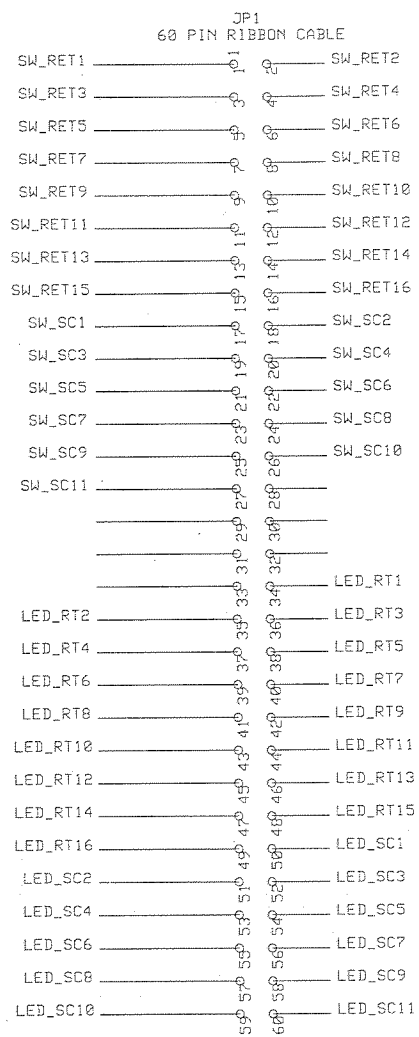
KEY AND LED SCAN



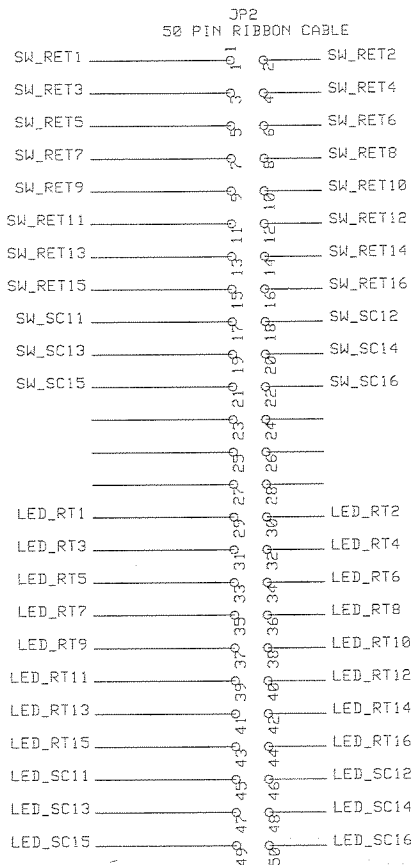
MAIN CPU BOARD
 STATUS CUE
 REV 2.0 2/20/94
 PAGE 5 OF 10
 COPYRIGHT © 1994
 LIGHTWAVE RESEARCH

KEY AND LED CONNECTORS

TO SWITCH BOARD #1

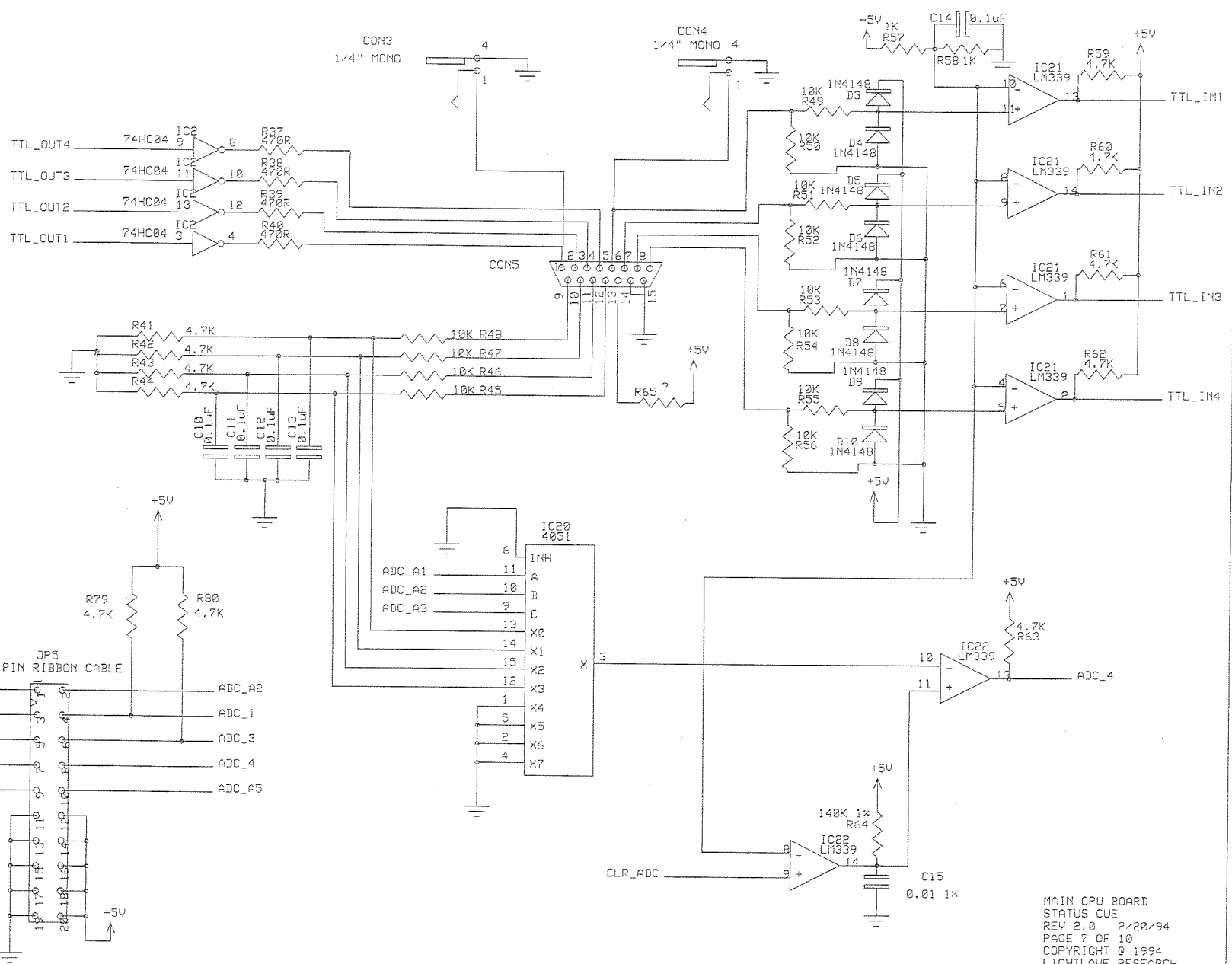


TO SWITCH BOARD #2



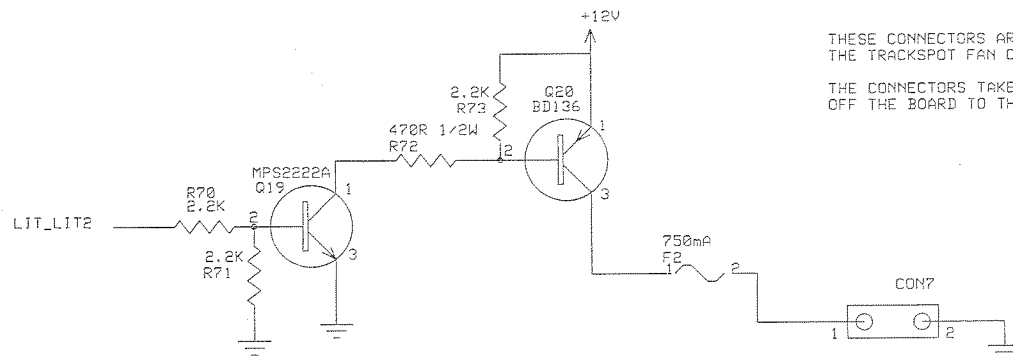
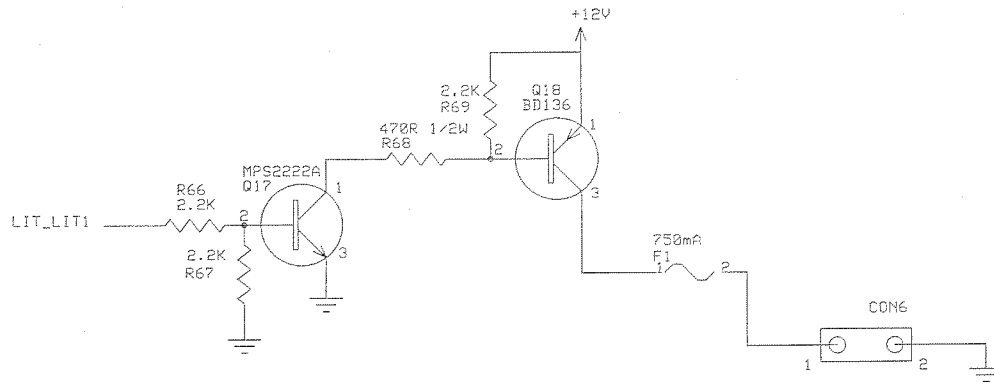
MAIN CPU BOARD
CONSOLE CONTROLLER
REV 2.0 2/20/94
PAGE 6 OF 10
COPYRIGHT © 1994
LIGHTWAVE RESEARCH

SLIDER AND IO INTERFACE



MAIN CPU BOARD
 STATUS CUE
 REV 2.0 2/20/94
 PAGE 7 OF 10
 COPYRIGHT © 1994
 LIGHTWAVE RESEARCH

LITTLE LITE INTERFACE

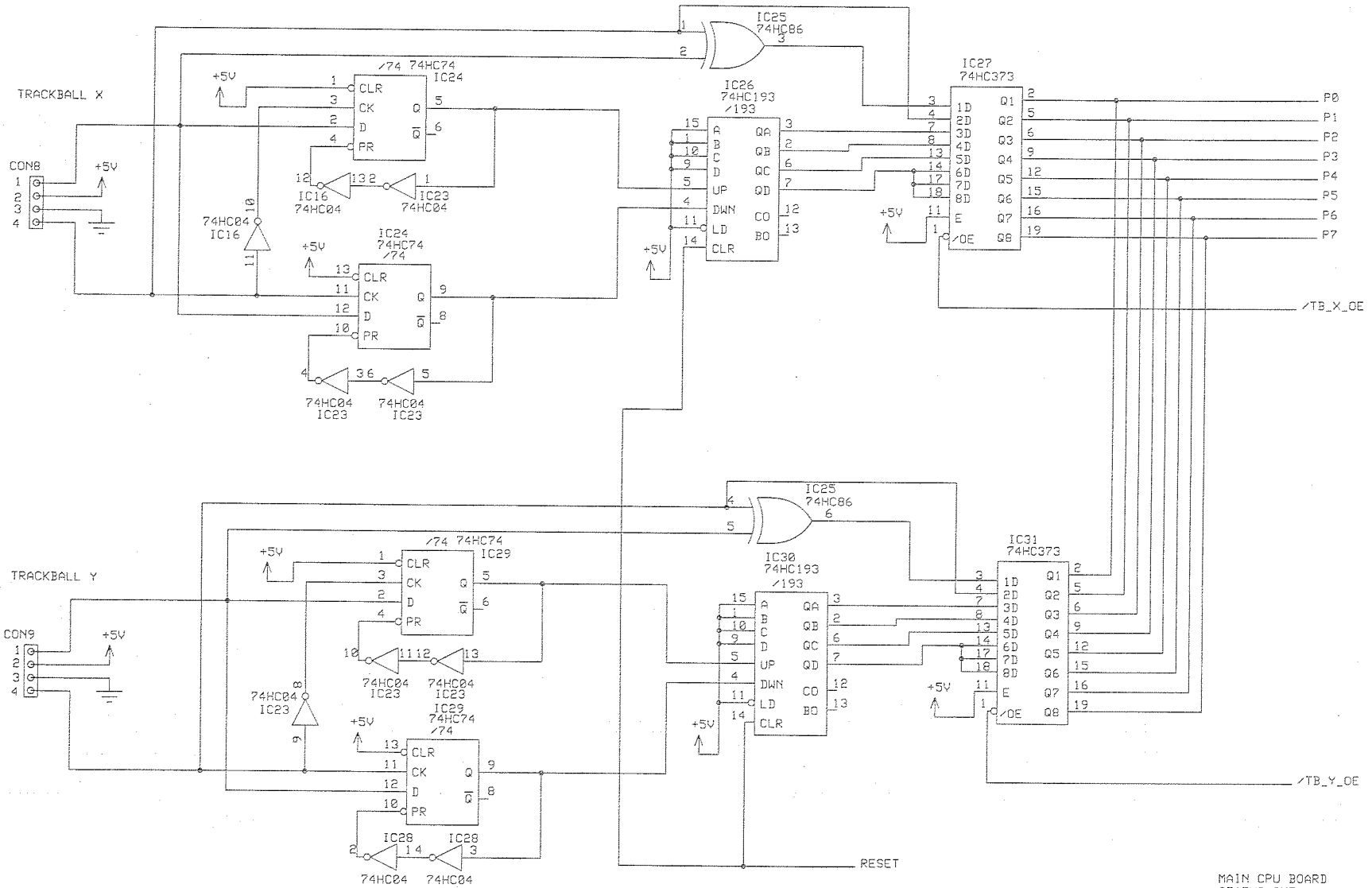


THESE CONNECTORS ARE THE SAME AS
THE TRACKSPOT FAN CONNECTOR

THE CONNECTORS TAKE POWER
OFF THE BOARD TO THE LITTLE LITES

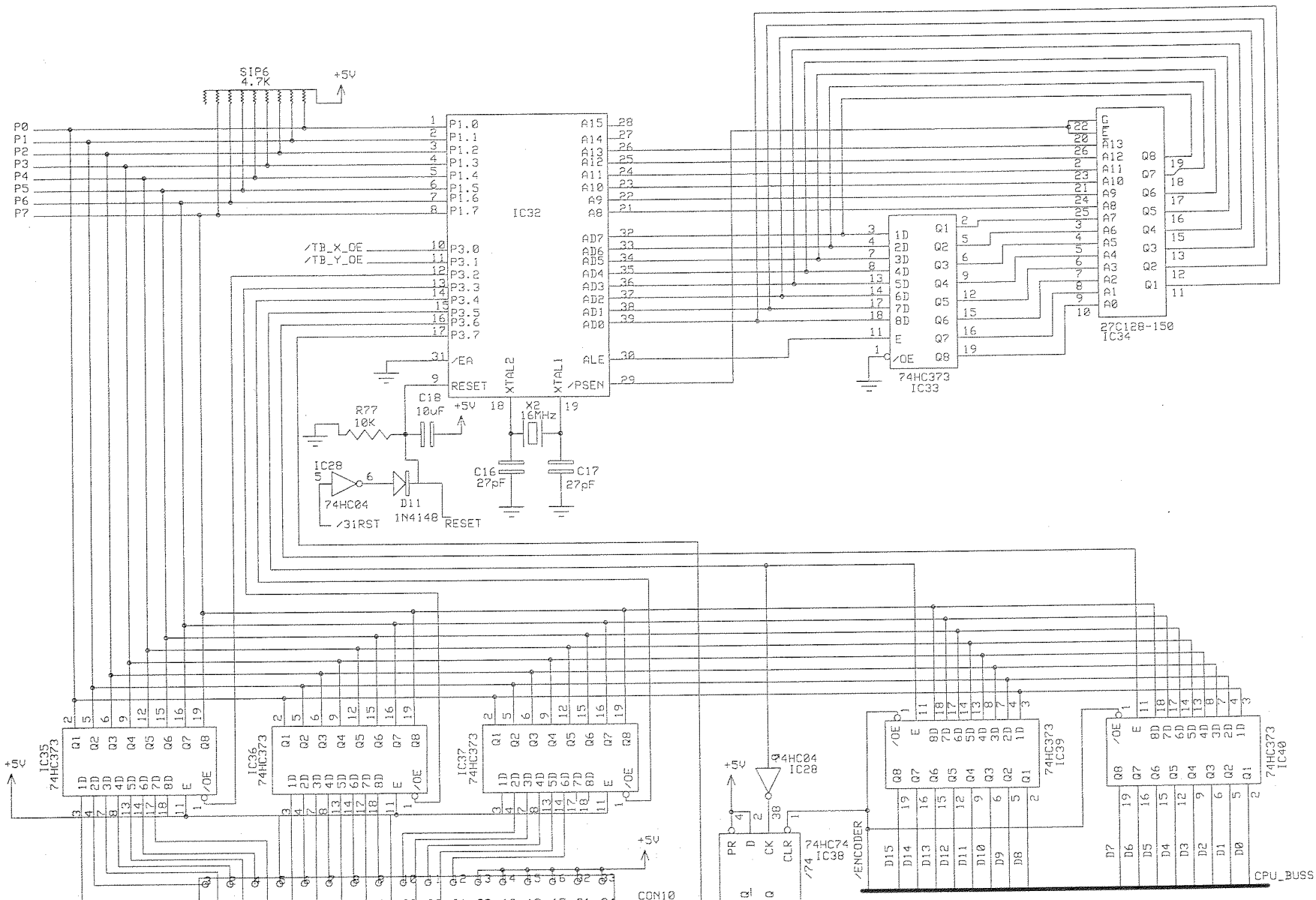
MAIN CPU BOARD
STATUS CUE
REV 2.0 2/20/94
PAGE 8 OF 10
COPYRIGHT © 1994
LIGHTWAVE RESEARCH

TRACKBALL INTERFACE

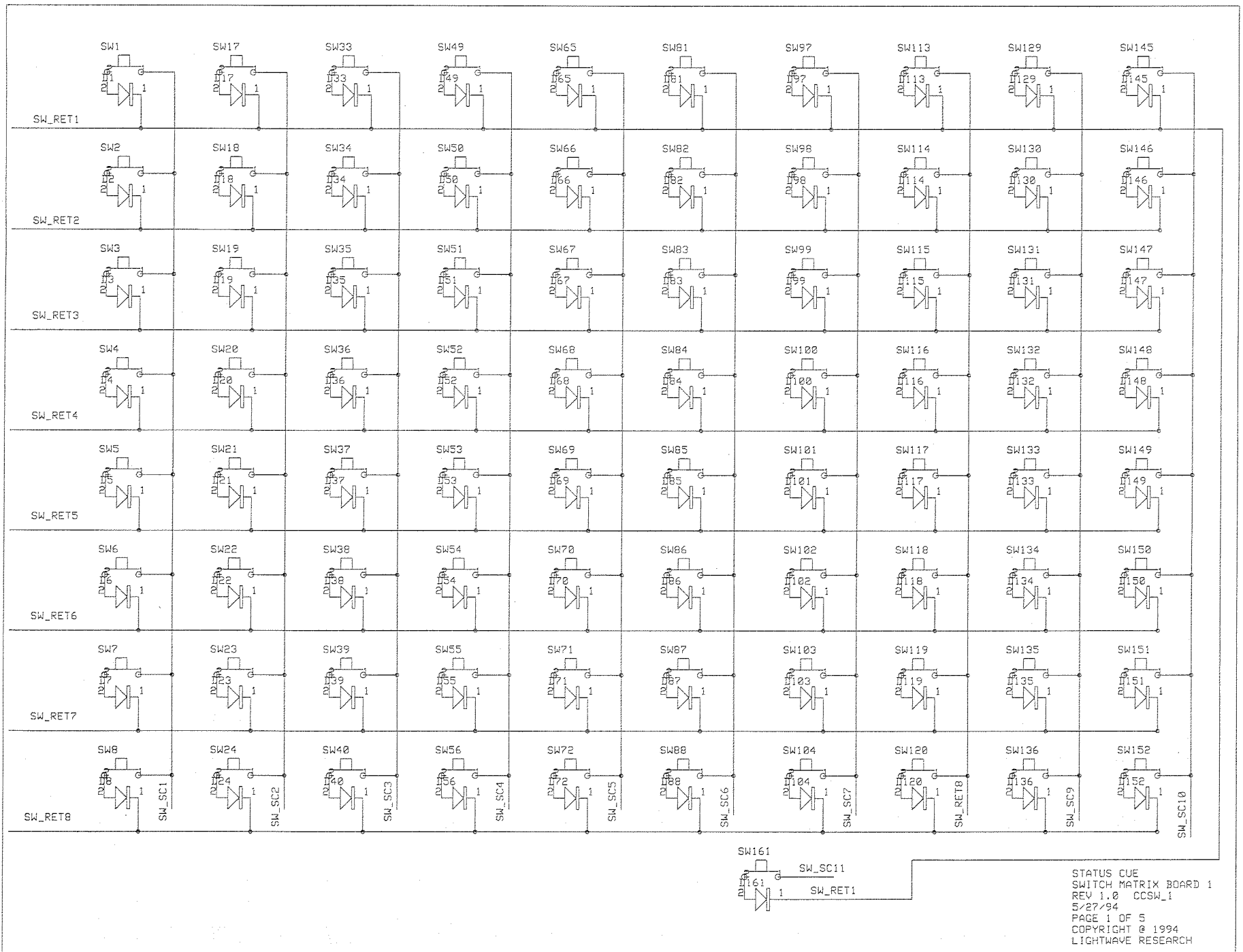


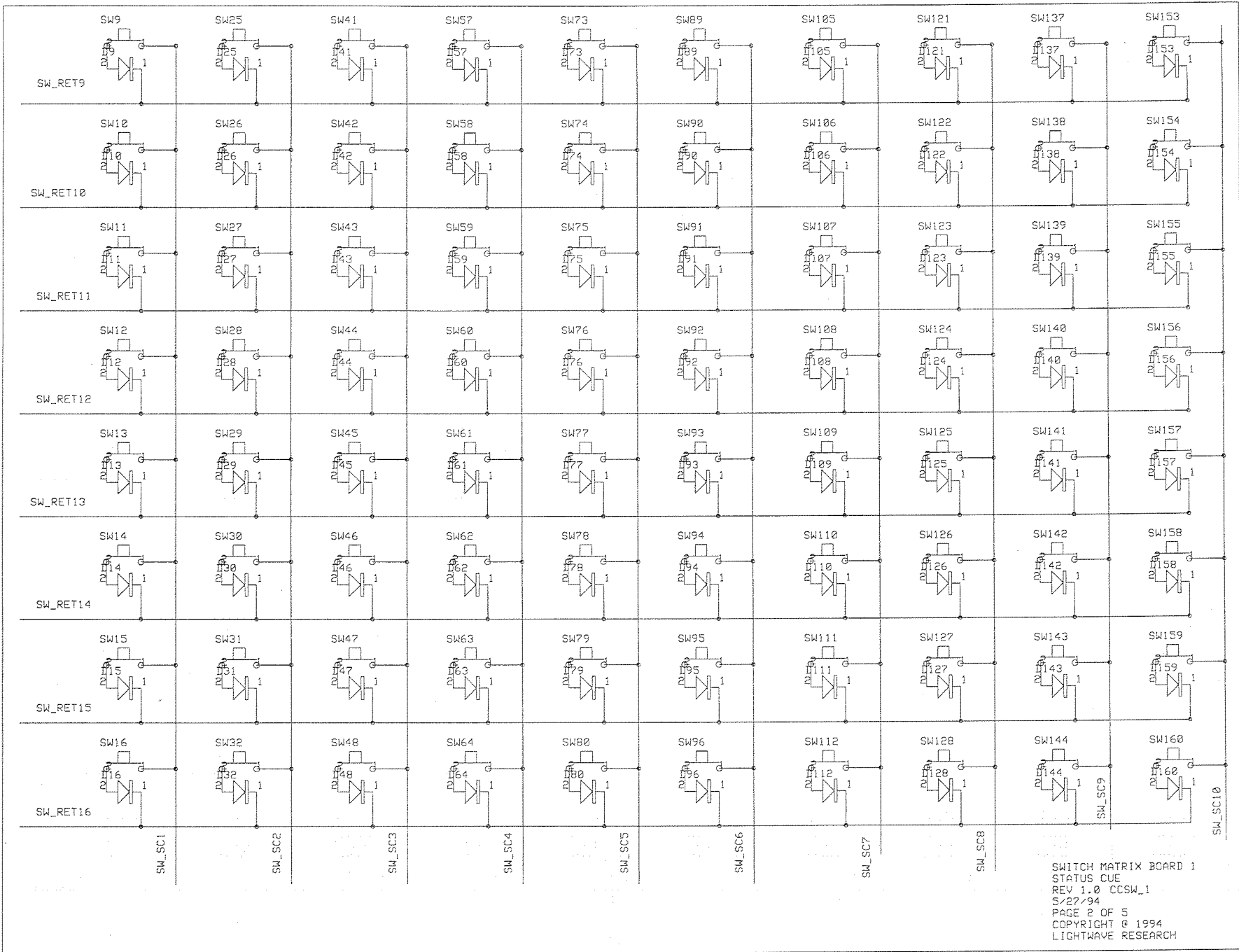
MAIN CPU BOARD
 STATUS CUE
 REV 2.0 2/22/94
 PAGE 9 OF 10
 COPYRIGHT © 1994
 LIGHTWAVE RESEARCH

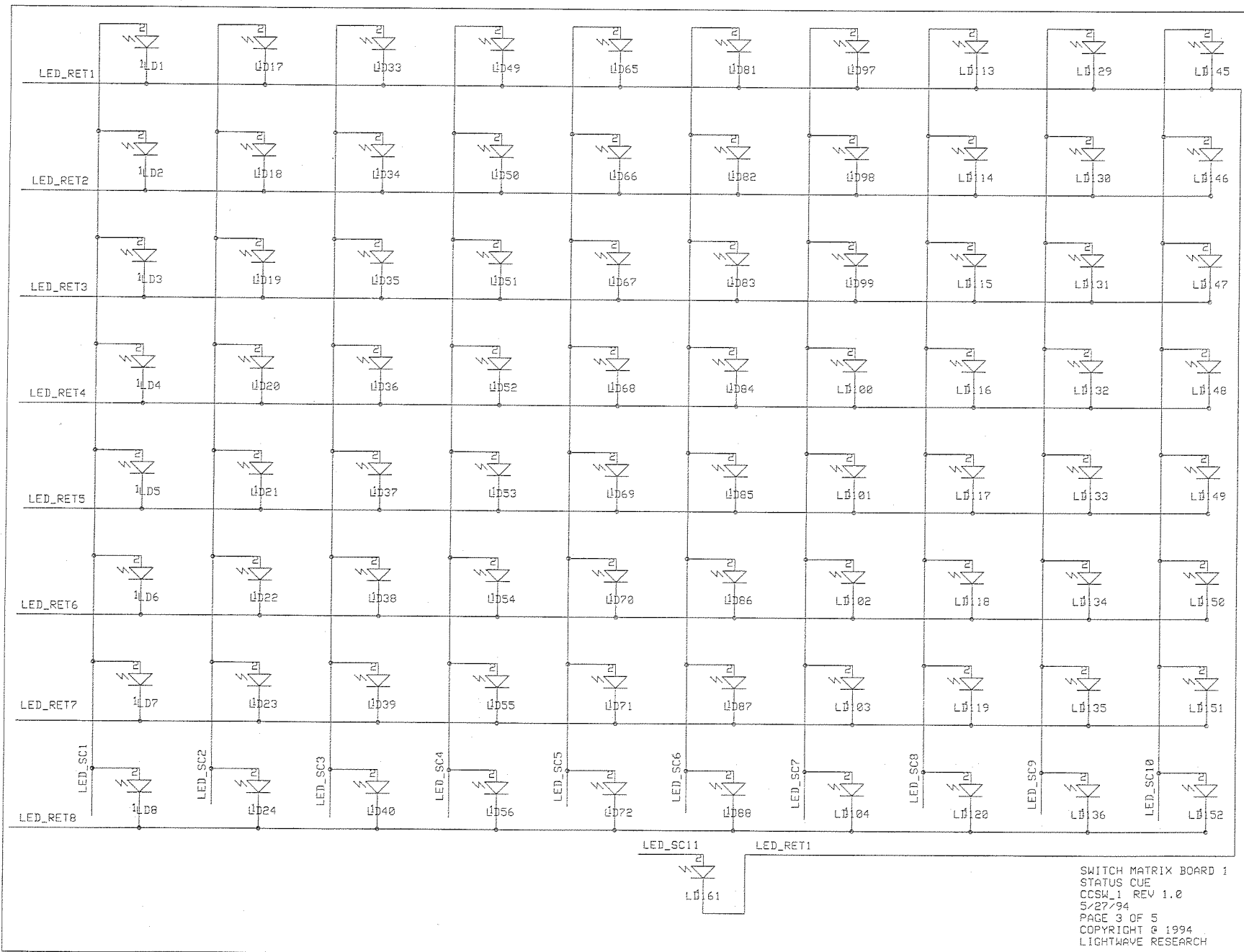
ENCODER CPU

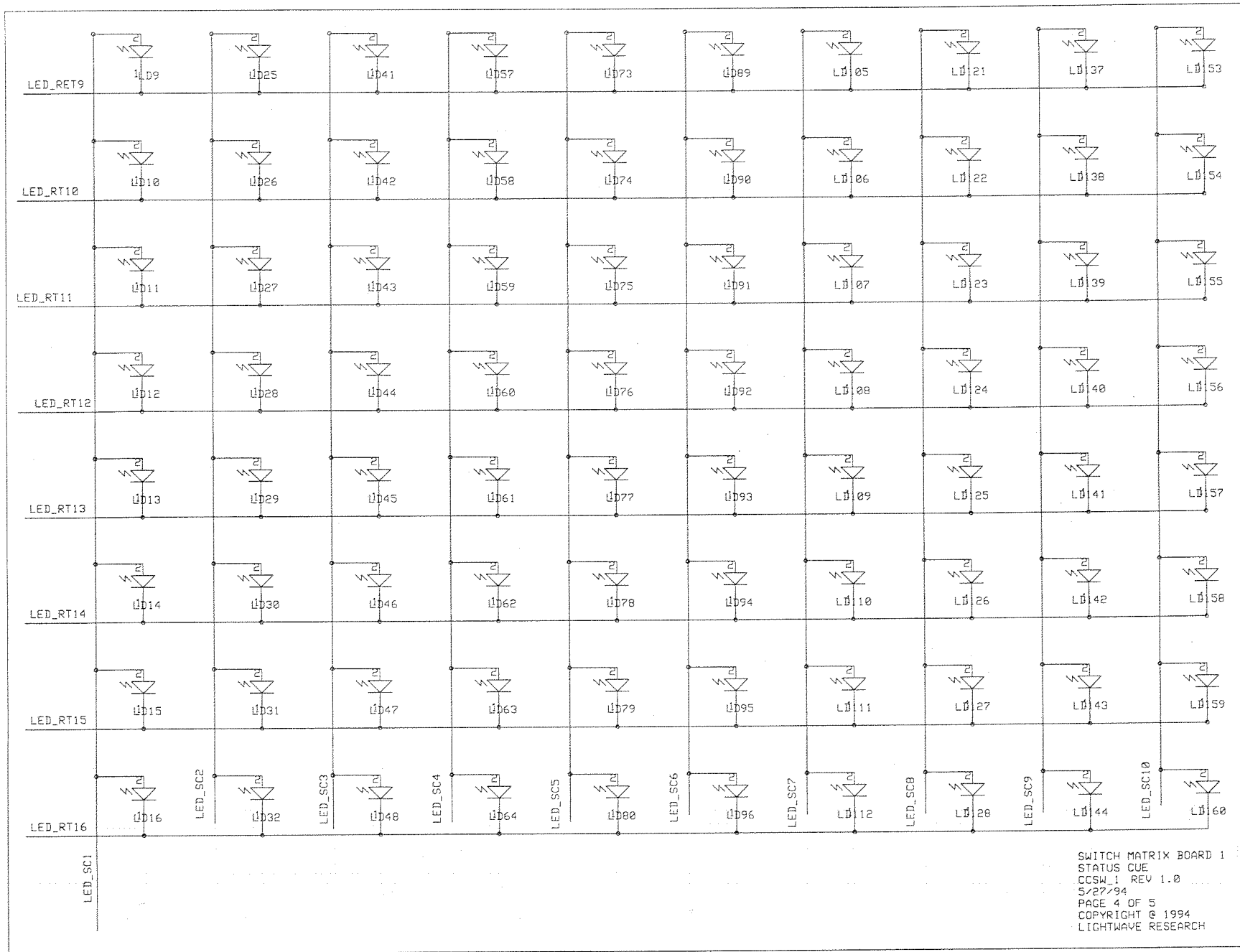


MAIN CPU BOARD
 STATUS CUE
 REV 2.0 2/20/94
 PAGE 10 OF 10
 COPYRIGHT © 1994
 LIGHTWAVE RESEARCH

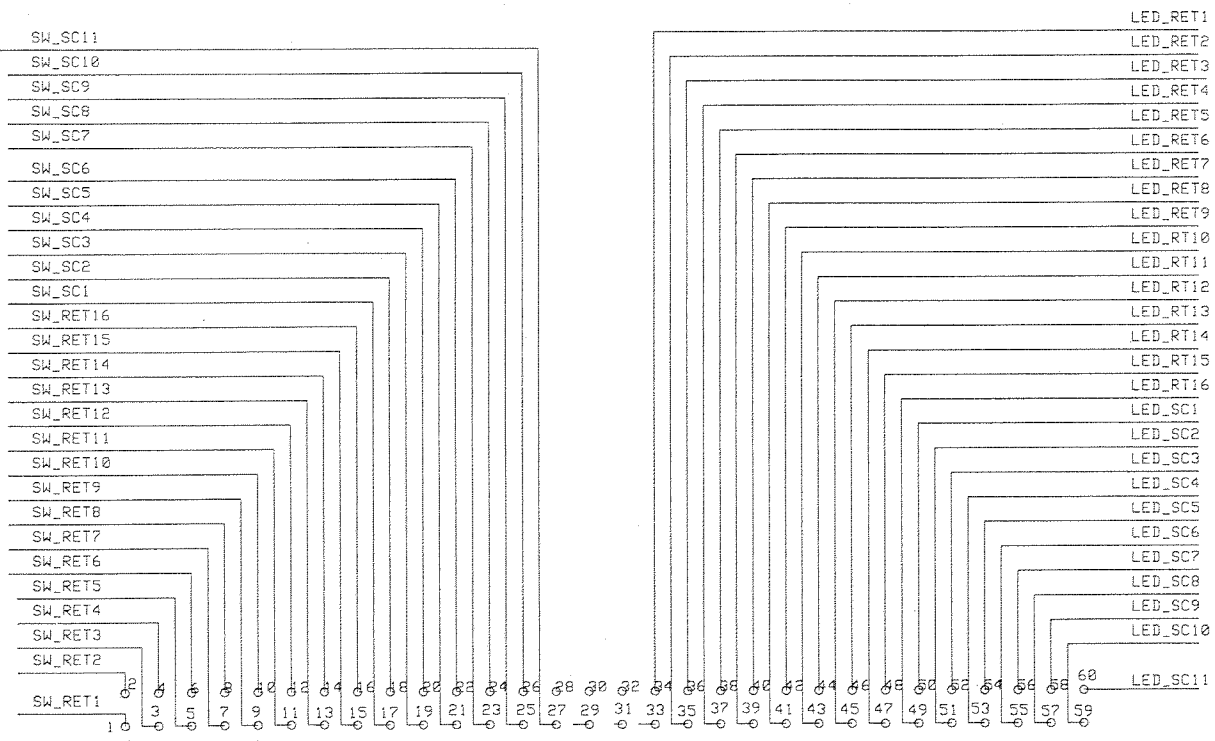








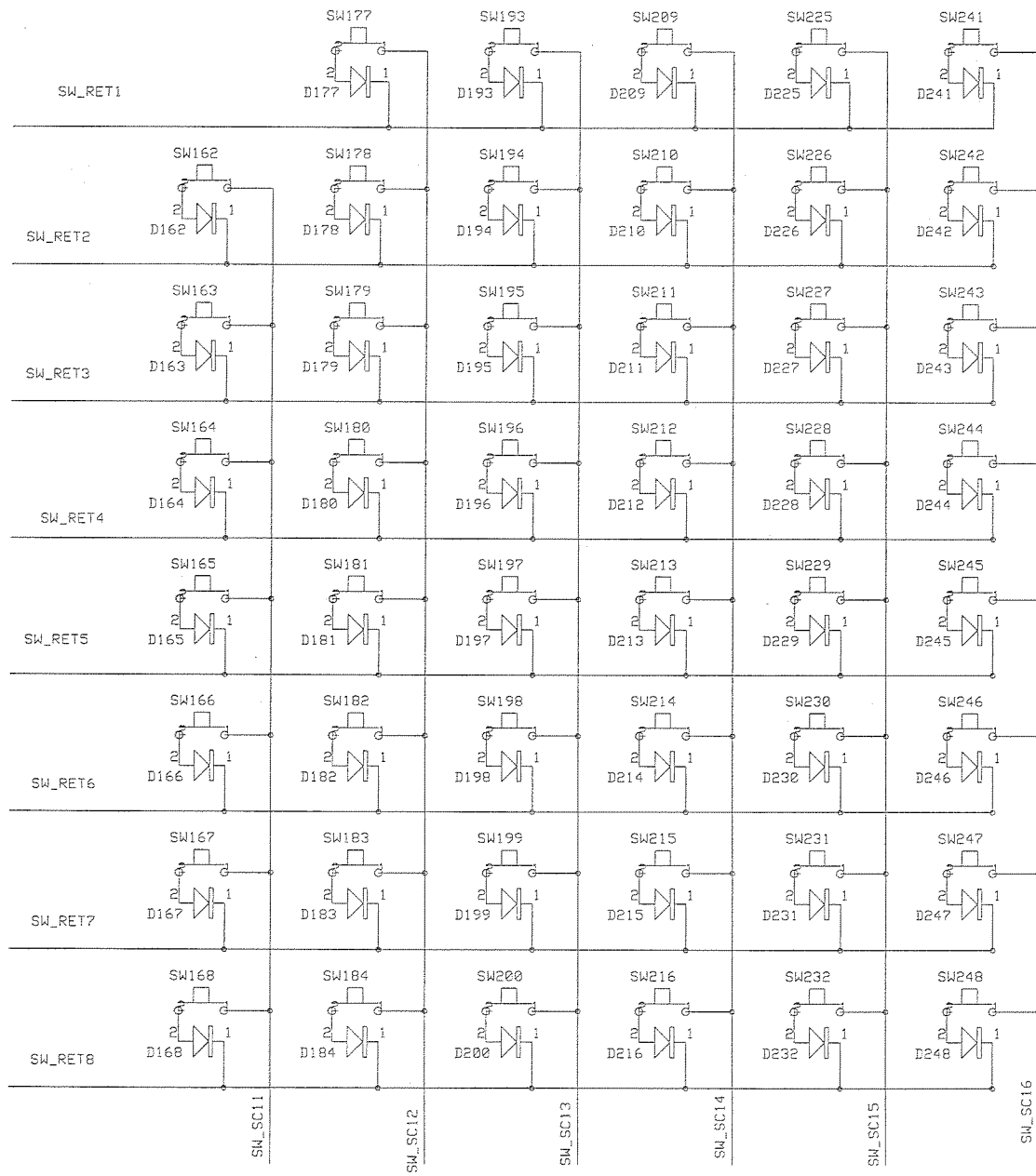
SWITCH MATRIX BOARD 1
 STATUS CUE
 CCSW_1 REV 1.0
 5/27/94
 PAGE 4 OF 5
 COPYRIGHT © 1994
 LIGHTWAVE RESEARCH



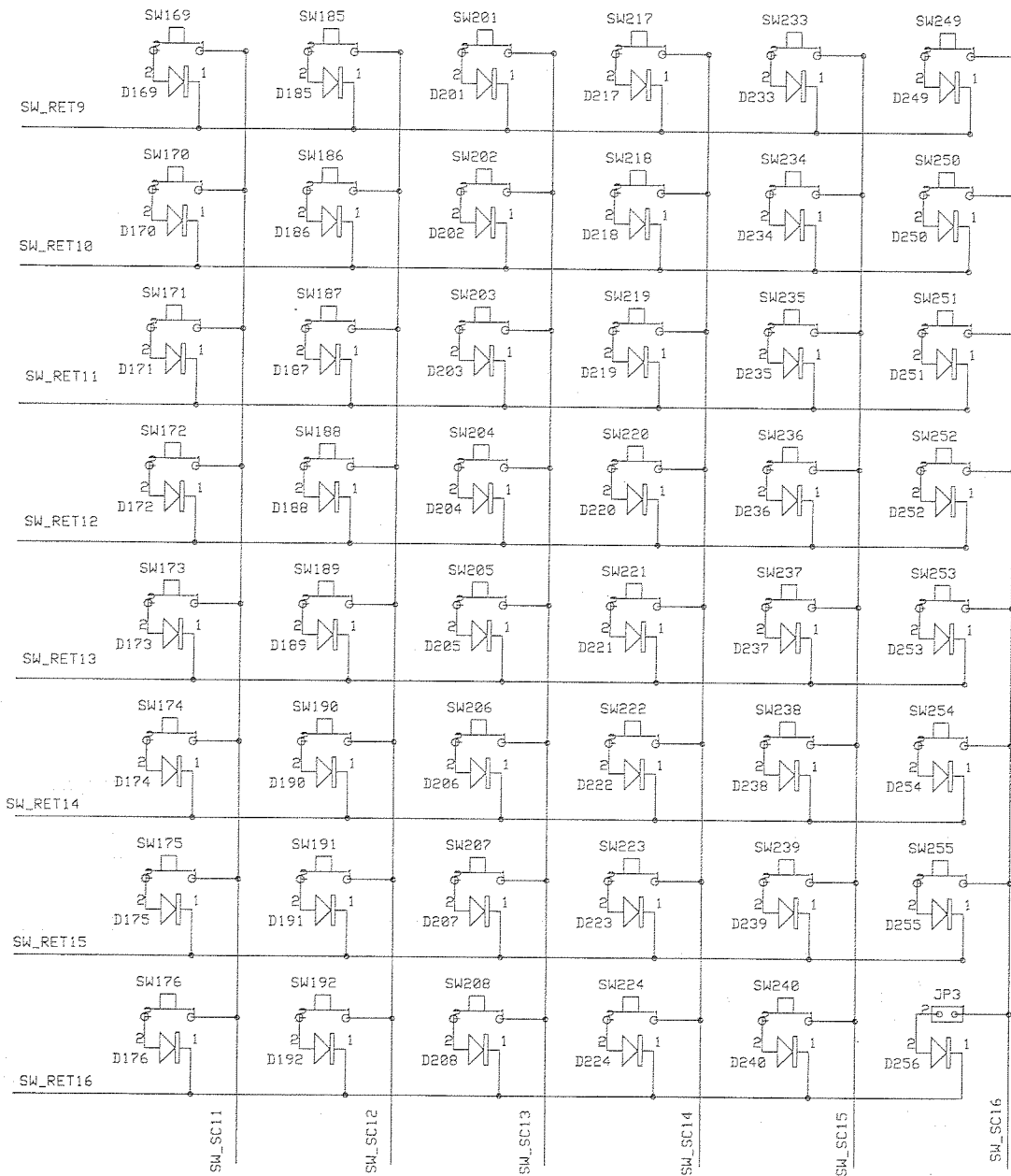
JP1 HDR60

60 PIN RIBBON CABLE

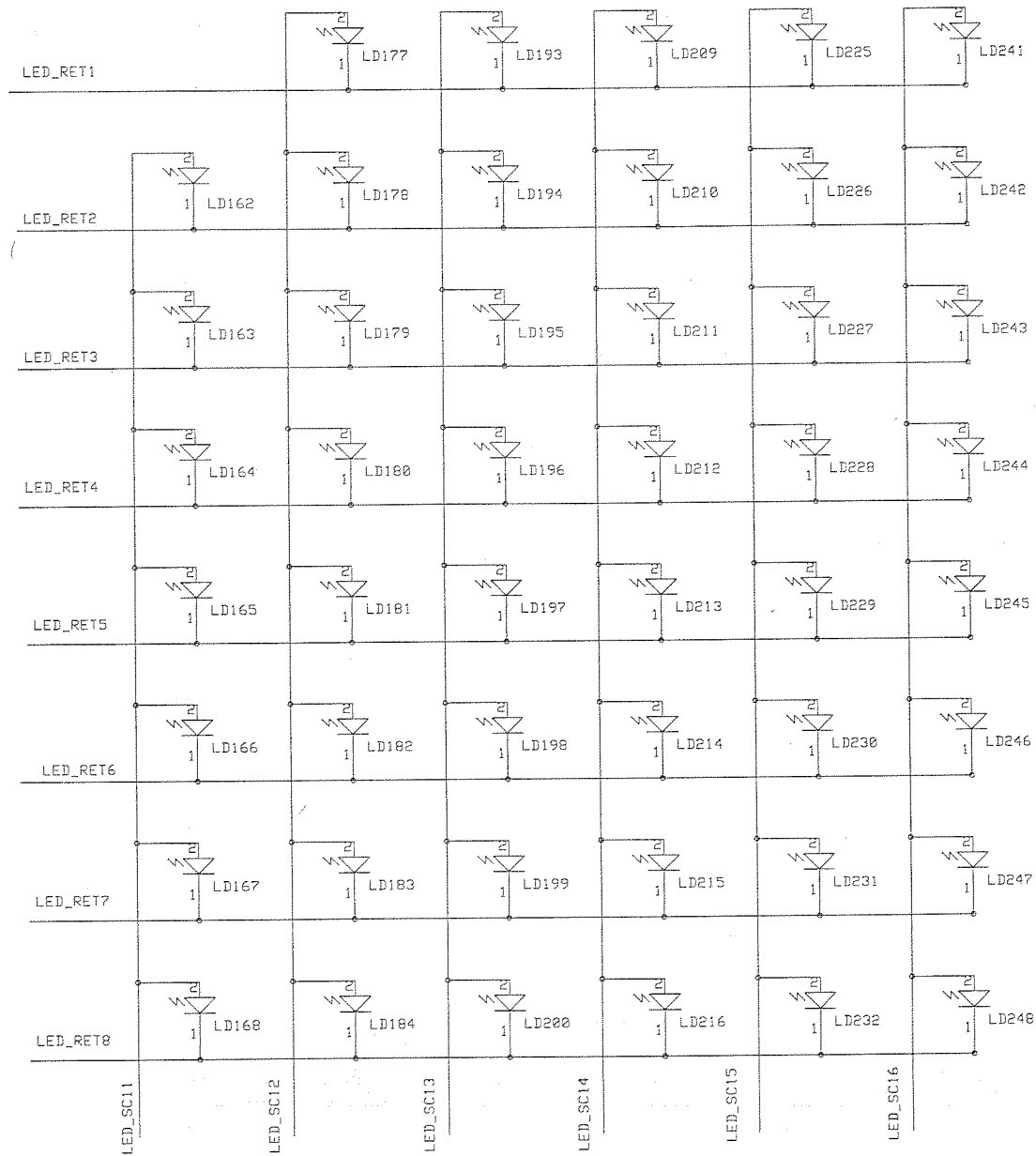
SWITCH MATRIX BOARD 1
 STATUS CUE
 CONNECTOR
 5/27/94
 CCSW_1 REV 1.0
 PAGE 5 OF 5
 COPYRIGHT © 1994
 LIGHTWAVE RESEARCH



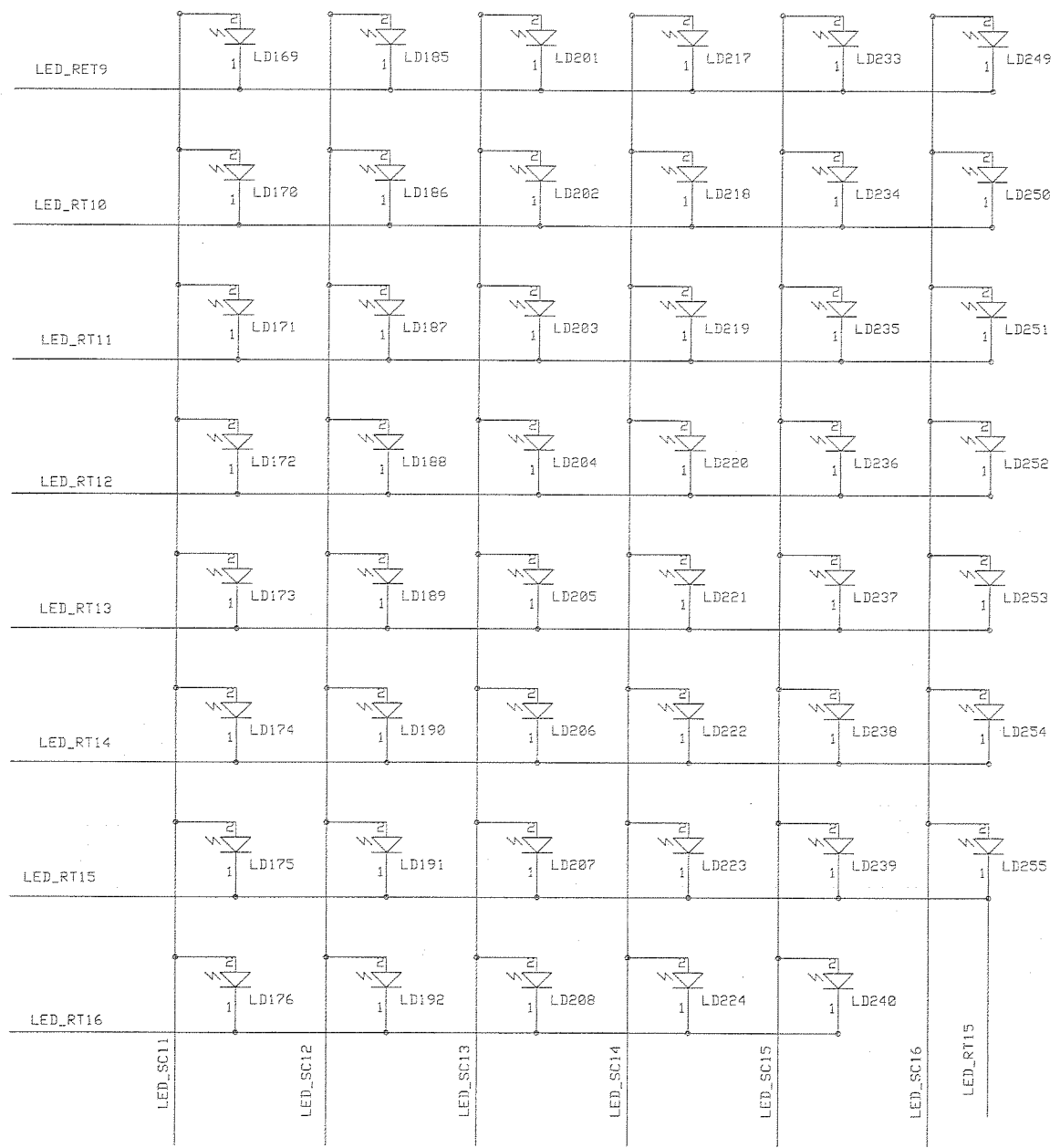
SWITCH MATRIX BOARD 2
 STATUS CUE
 CCSW_2 REV 1.0
 5/27/94
 PAGE 1 OF 5
 COPYRIGHT © 1994
 LIGHTWAVE RESEARCH



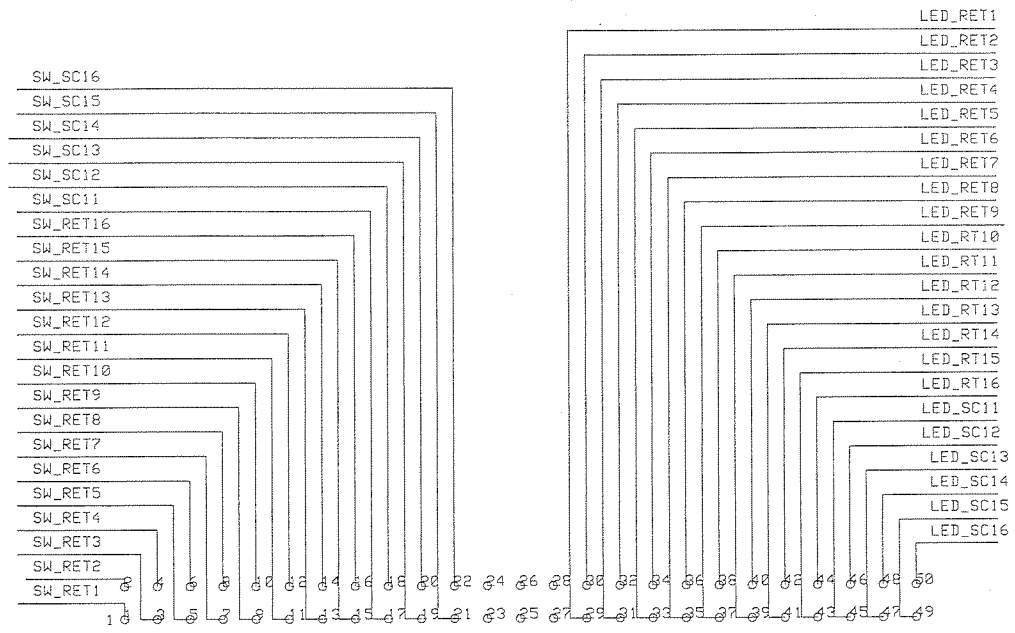
SWITCH MATRIX BOARD 2
 STATUS CUE
 CCSW_2 - REV 1.0
 5/27/94
 PAGE 2 OF 5
 COPYRIGHT © 1994
 LIGHTWAVE RESEARCH



SWITCH BOARD MATRIX 2
 STATUS CUE
 CCSW_2 REV 1.0
 5/27/94
 PAGE 3 OF 5
 COPYRIGHT © 1994
 LIGHTWAVE RESEARCH

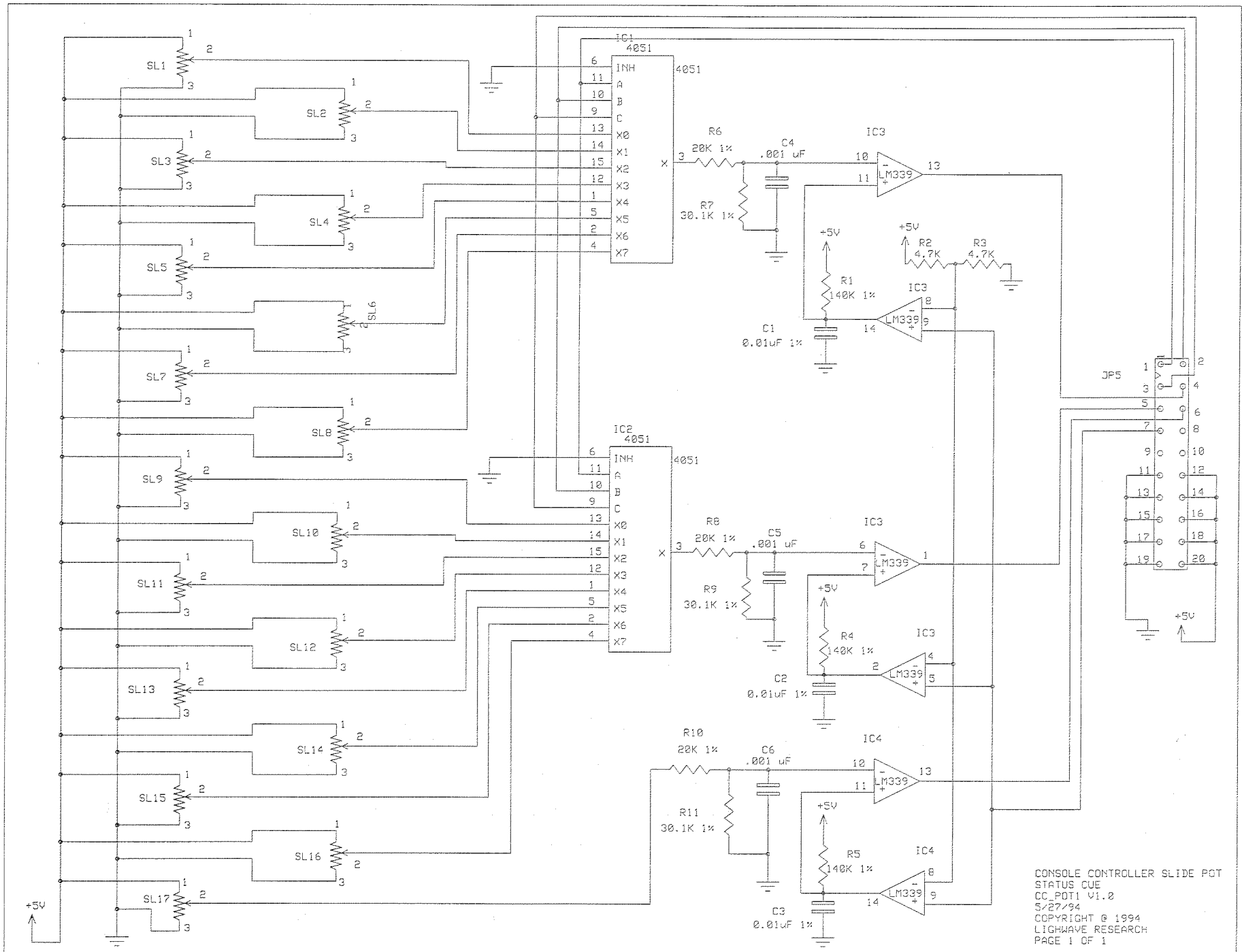


SWITCH BOARD MATRIX 2
 STATUS CUE
 CCSW_2
 5/27/94 REV 1.0
 PAGE 4 OF 5
 COPYRIGHT © 1994
 LIGHTWAVE RESEARCH

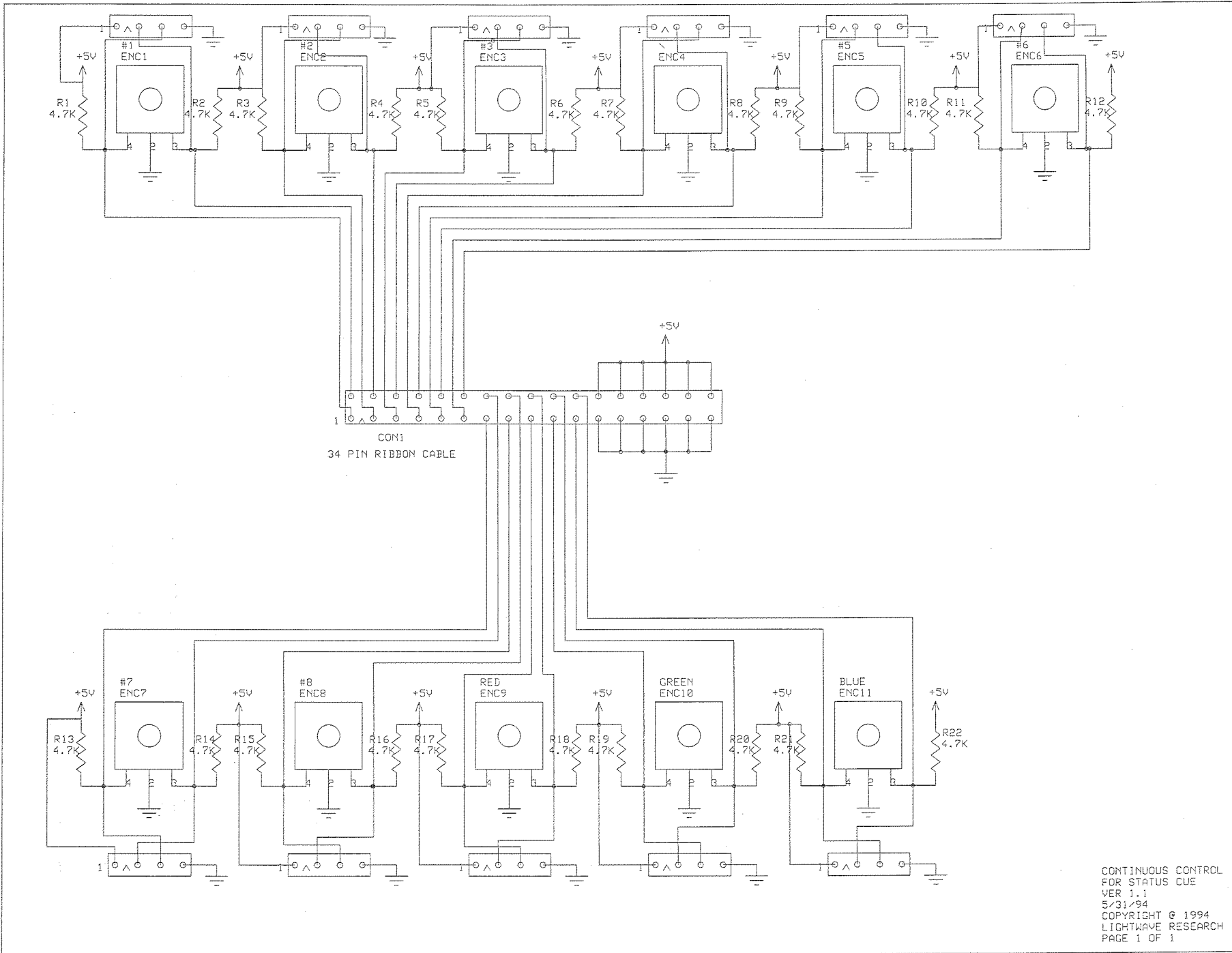


JP2

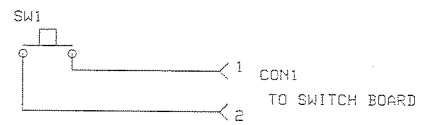
SWITCH BOARD MATRIX 2
 STATUS CUE
 CCSW_2 REV 1.0
 5/27/94
 PAGE 5 OF 5
 COPYRIGHT © 1994
 LIGHTWAVE RESEARCH



CONSOLE CONTROLLER SLIDE POT
 STATUS CUE
 CC_POT1 V1.2
 S/27/94
 COPYRIGHT © 1994
 LIGHTWAVE RESEARCH
 PAGE 1 OF 1

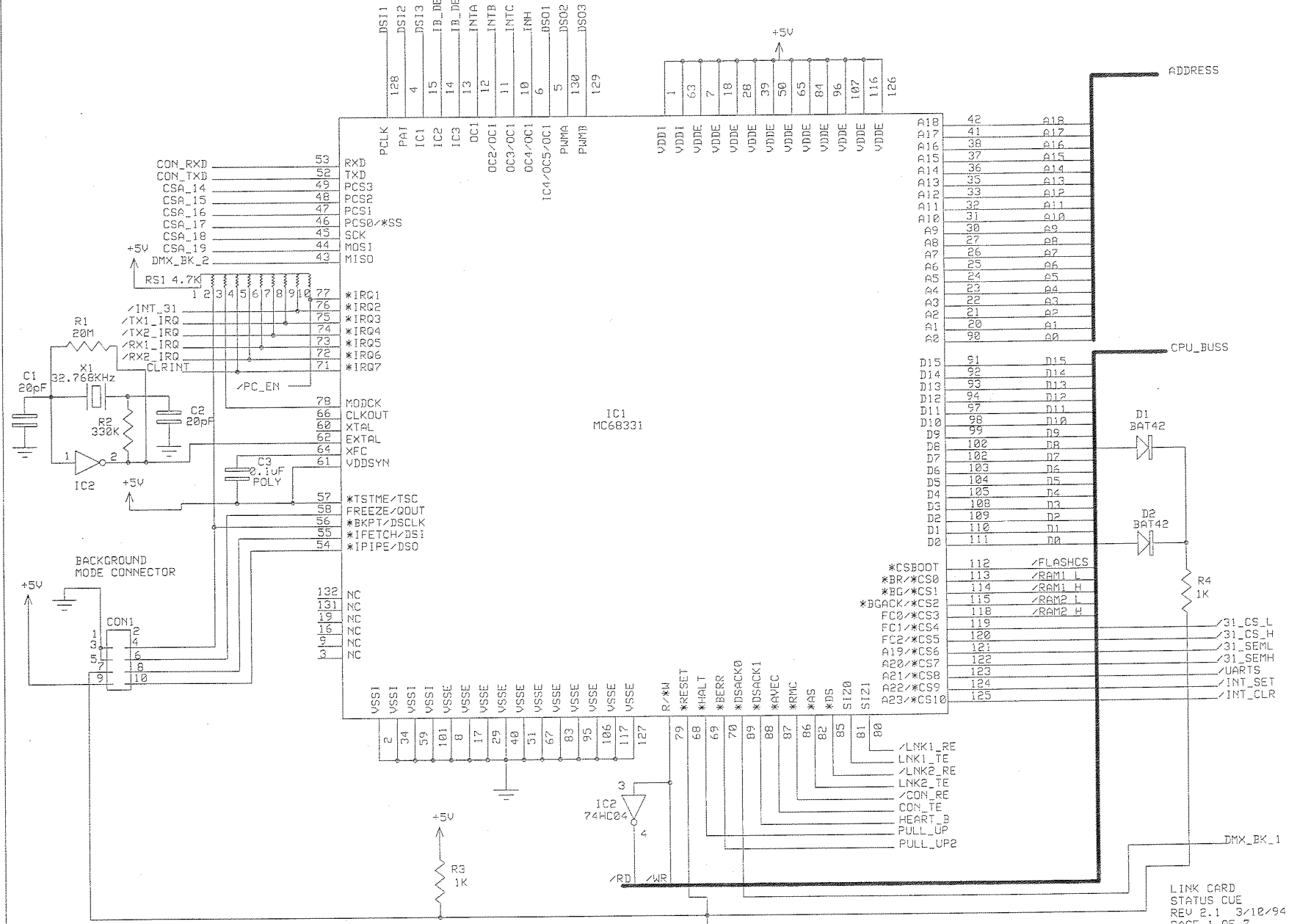


CONTINUOUS CONTROL
 FOR STATUS CUE
 VER 1.1
 5/31/94
 COPYRIGHT © 1994
 LIGHTWAVE RESEARCH
 PAGE 1 OF 1



PUSH BUTTON
FOR TRACKBALL
STATUS CUE
VER 1.0
5/26/94
PAGE 1 OF 1

CPU

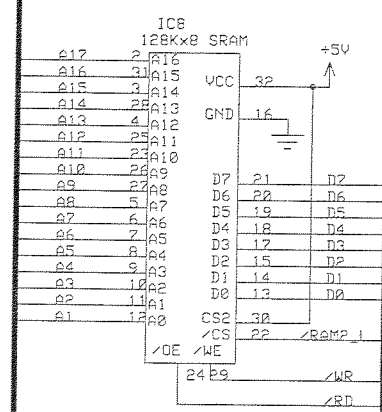
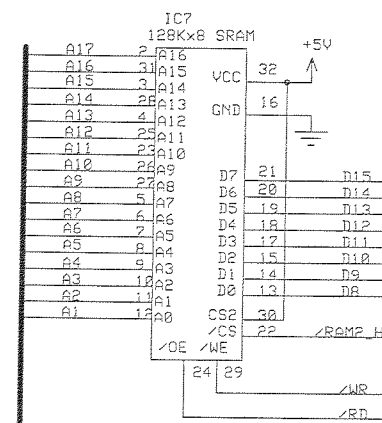
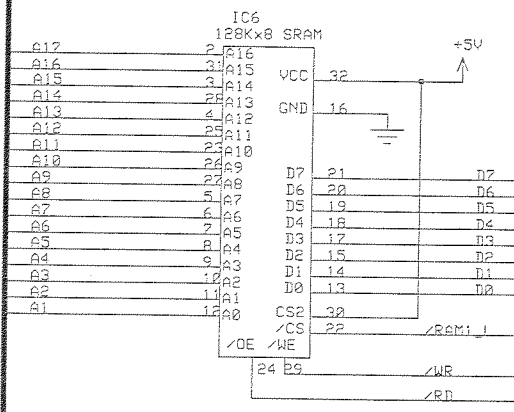
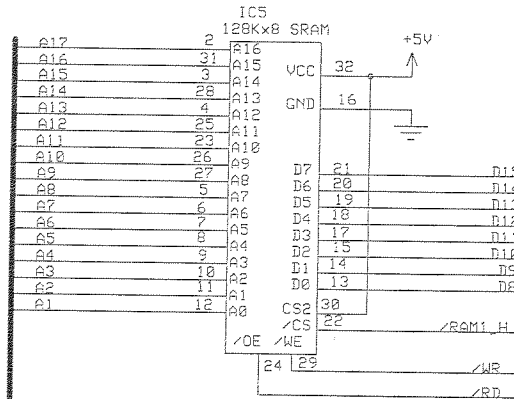
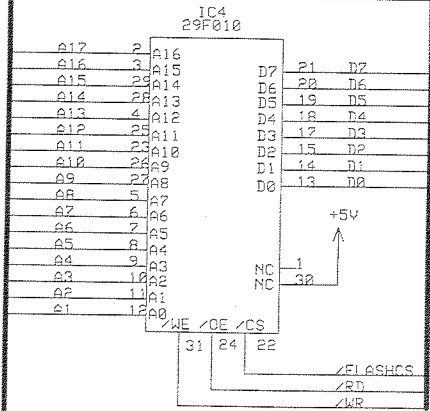
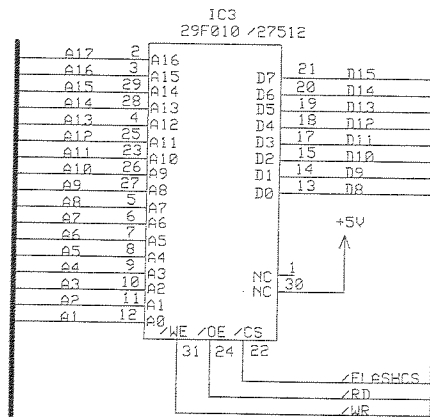


RESISTORS LABELED ERn DON'T GET STUFFED. THEY ARE FOR FUTURE EXPANSION.

LINK CARD STATUS CUE
REV 2.1 3/10/94
PAGE 1 OF 7
COPYRIGHT © 1994
LIGHTWAVE RESEARCH

MEMORY

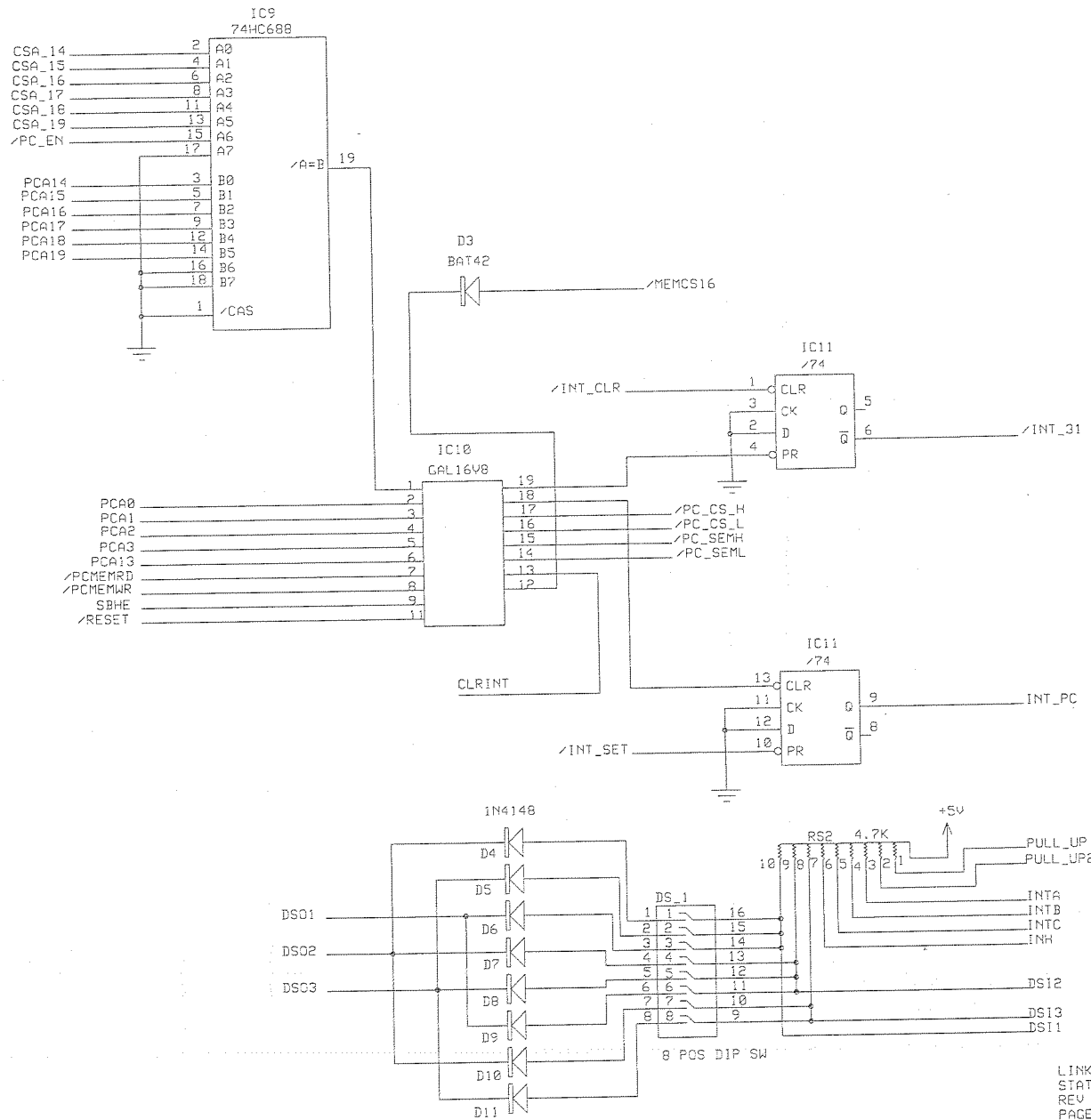
CPU_BUSS



ADDRESS

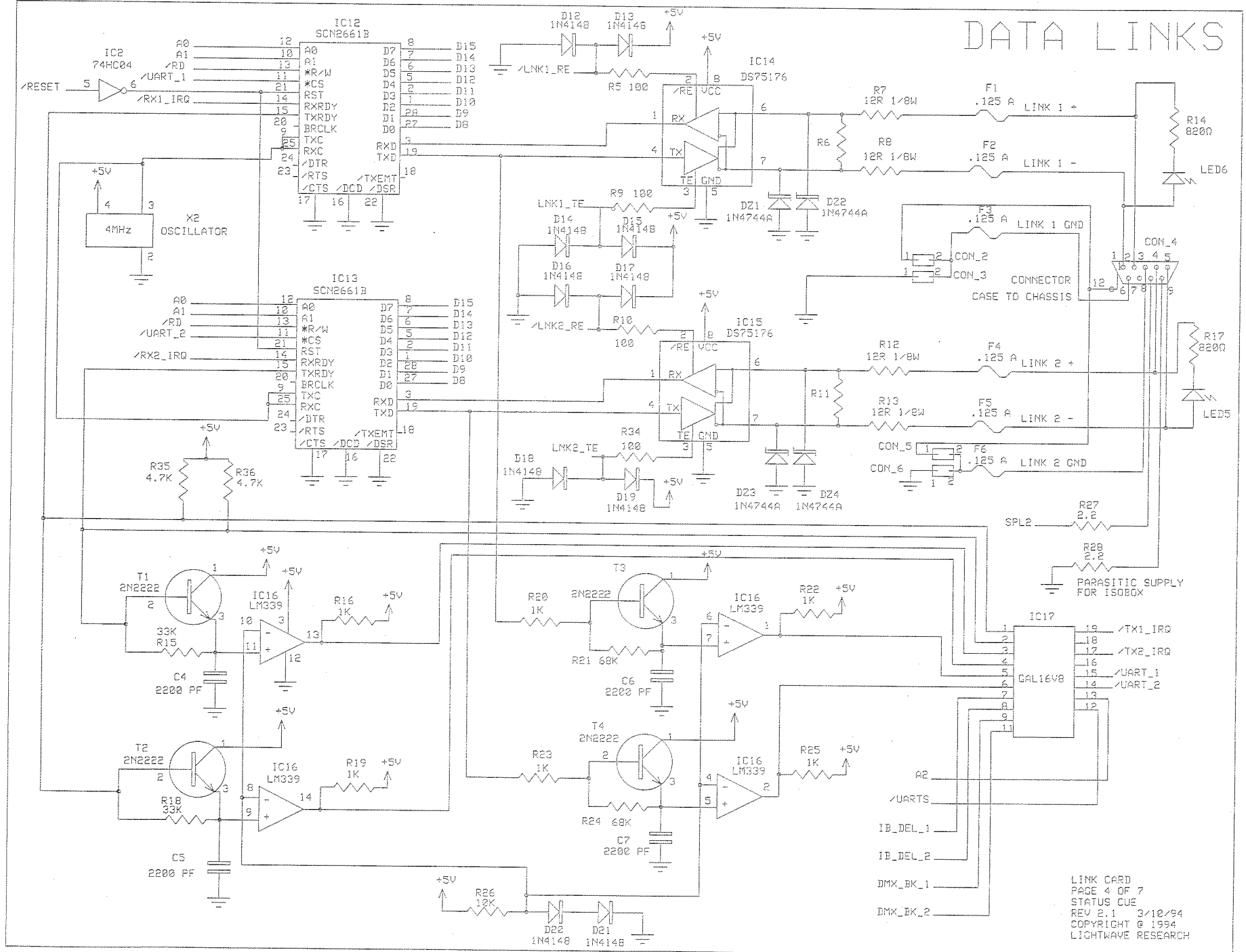
LINK CARD
STATUS CUE
REV 2.1 3/10/94
PAGE 2 OF 7
COPYRIGHT © 1994
LIGHTWAVE RESEARCH

DECODE LOGIC



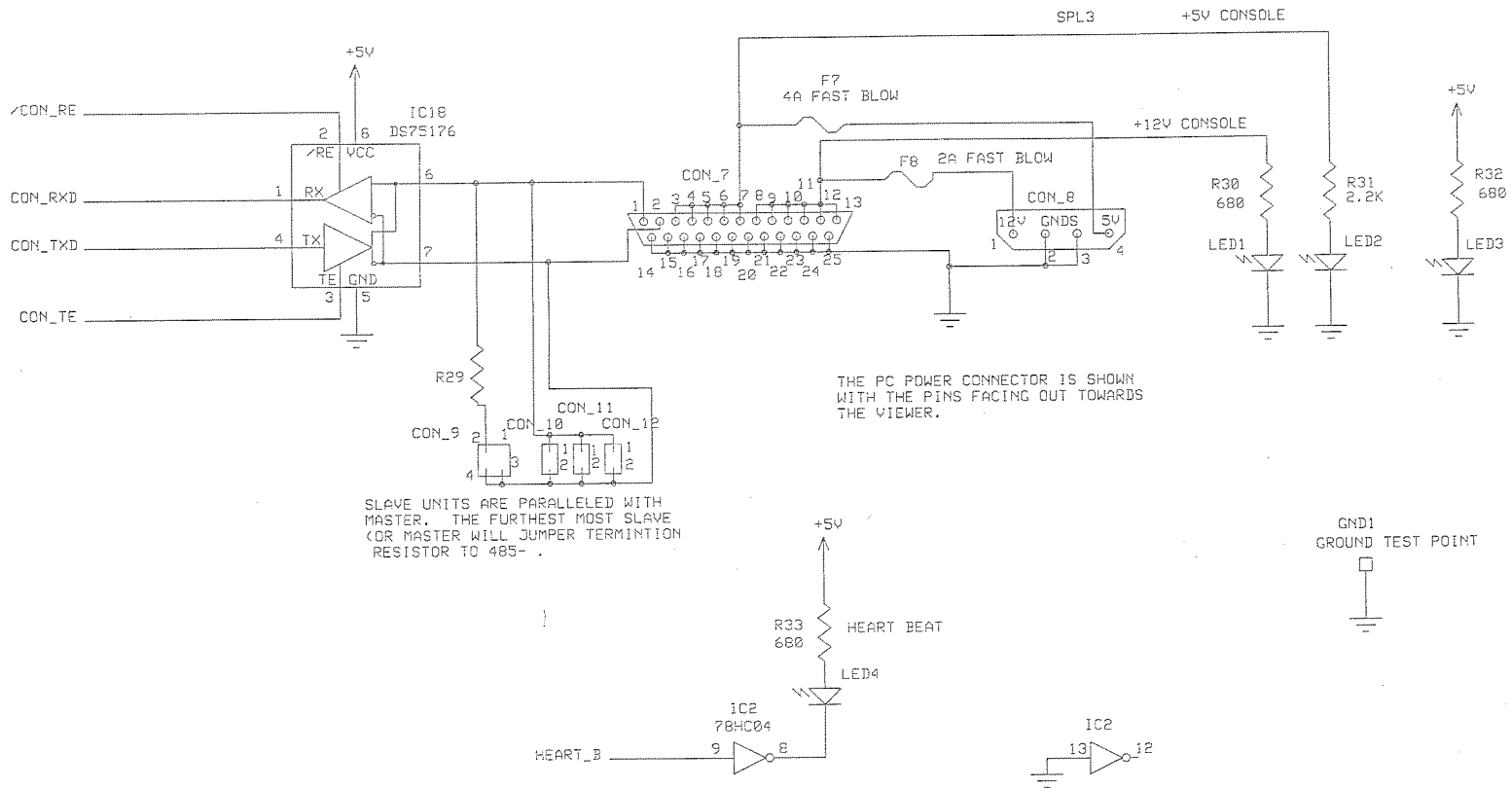
LINK CARD
 STATUS CUE
 REV 2.1 3/10/94
 PAGE 3 OF 7
 COPYRIGHT © 1994
 LIGHTWAVE RESEARCH

DATA LINKS



LINK CARD
 PAGE 4 OF 7
 STATUS CUE
 REV 2.1 3/10/94
 COPYRIGHT © 1994
 LIGHTWAVE RESEARCH

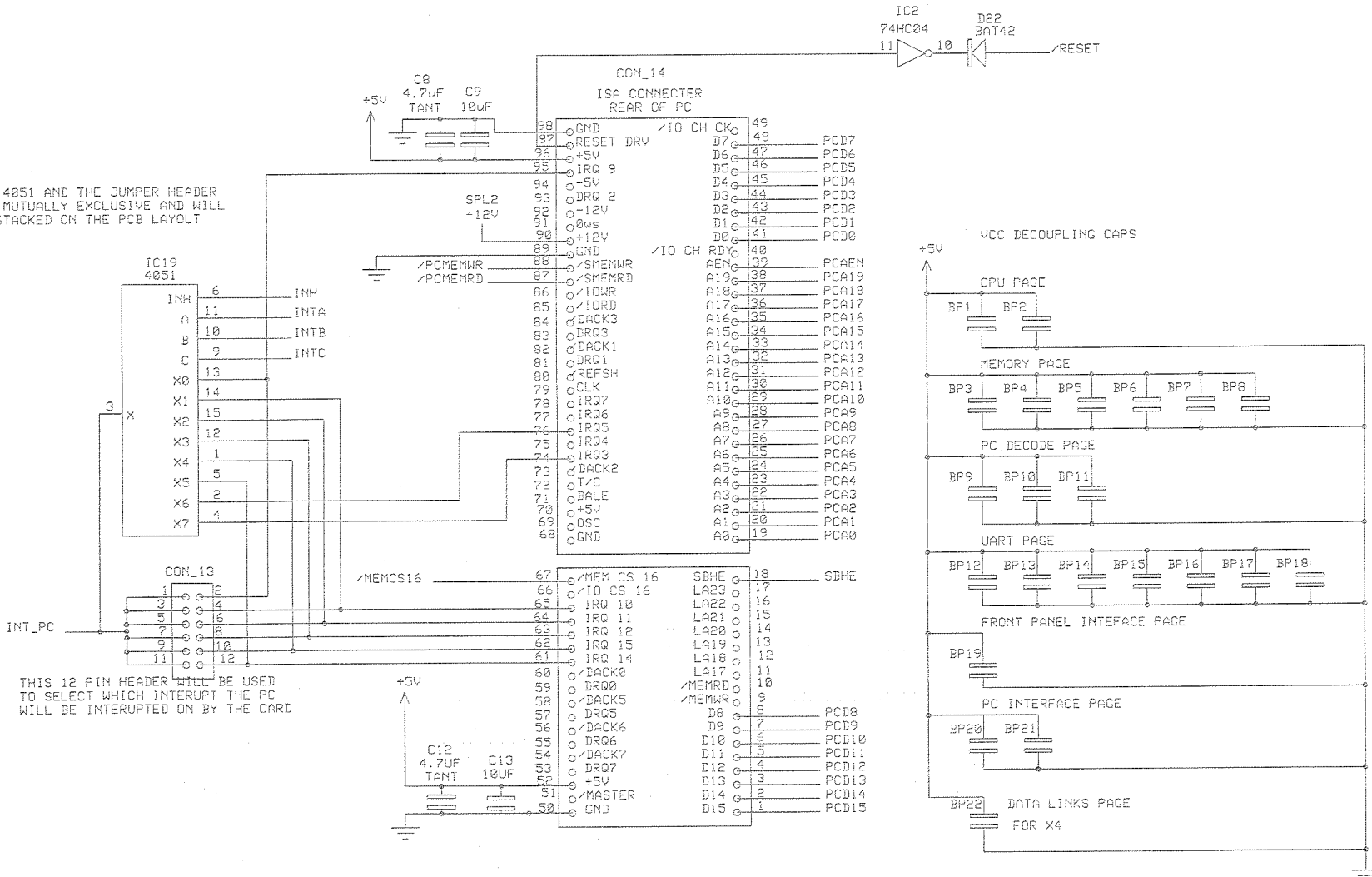
CONSOLE INTERFACE



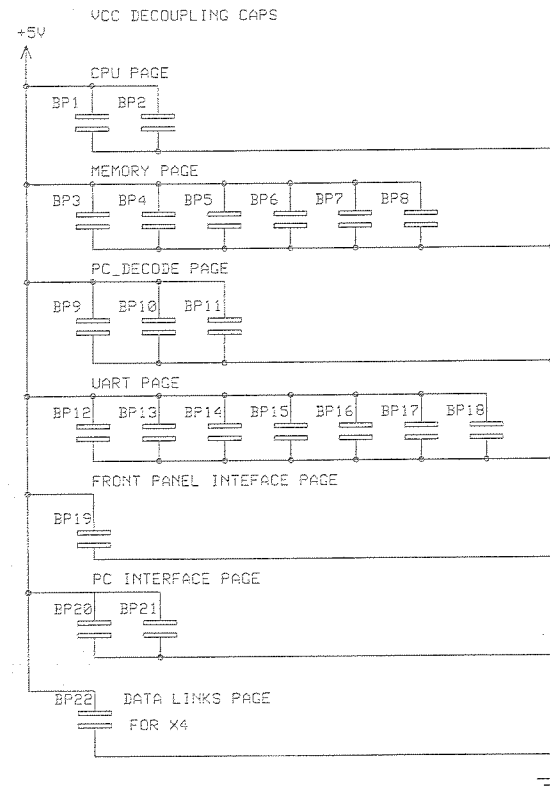
LINK CARD
 STATUS CUE
 REV 2.1 3/10/94
 PAGE 5 OF 7
 COPYRIGHT © 1994
 LIGHTWAVE RESEARCH

PC INTERFACE

THE 4051 AND THE JUMPER HEADER ARE MUTUALLY EXCLUSIVE AND WILL BE STACKED ON THE PCB LAYOUT

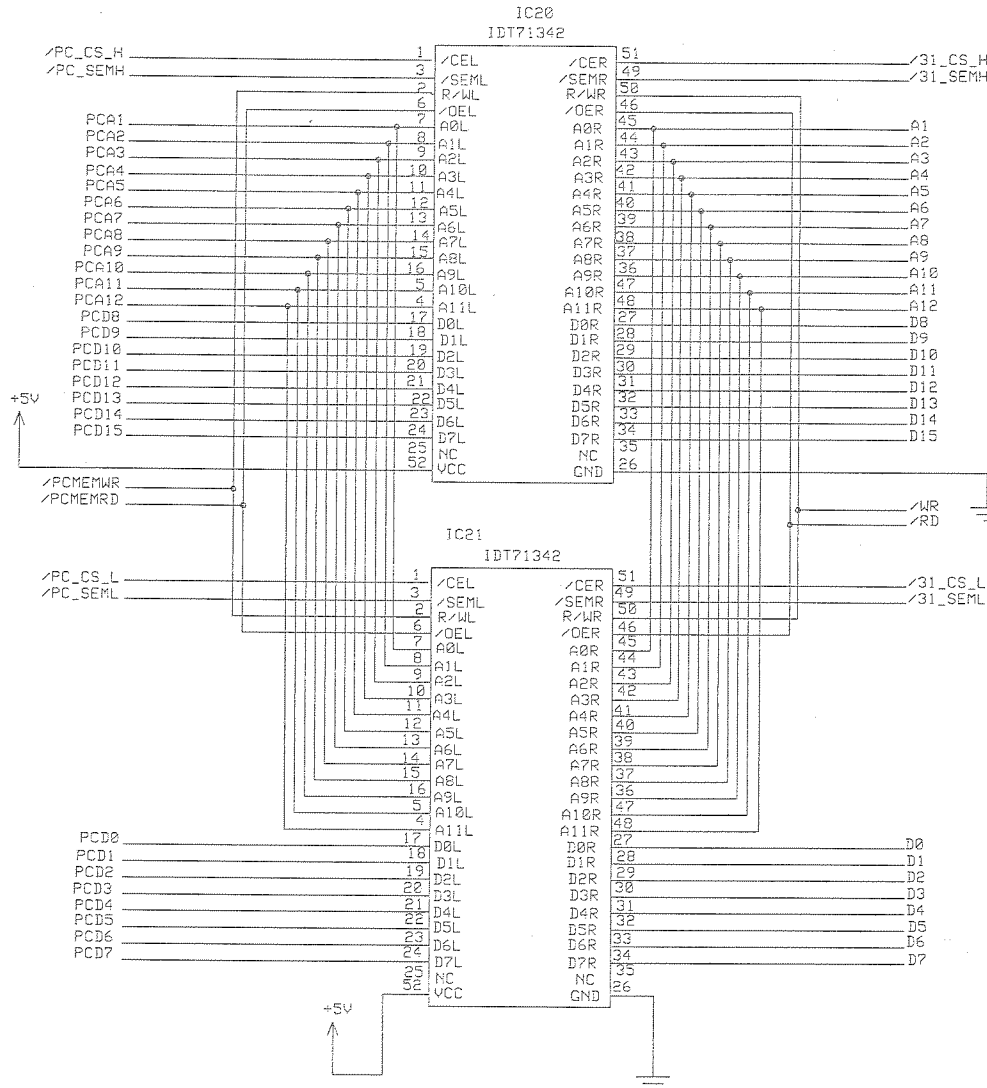


THIS 12 PIN HEADER WILL BE USED TO SELECT WHICH INTERRUPT THE PC WILL BE INTERRUPTED ON BY THE CARD



LINK CARD
STATUS CUE
REV 2.1 3/10/94
PAGE 6 OF 7
COPYRIGHT © 1994
LIGHTWAVE RESEARCH

SHARED RAM



LINK CARD
 STATUS CUE
 REV 2.1 3/10/94
 PAGE 7 OF 7
 COPYRIGHT © 1994
 LIGHTWAVE RESEARCH